



Summary

[Request a quote](#)

[Catalog](#)

Number of contacts Low Voltage	18
Wire Size/AWG	36 - 28
Socket / Receptacle	Socket / Receptacle - Fixed Panel Rear Mounted
Locking system	Push-pull
Jacket cable outside diameter [mm]	1.00 - 12.60 mm
Size	SP
Matching parts	SAN.M18.GLA.6G
Series	REDEL SP - Inner Push-Pull

Technical details

https://www.lemo.com/int_en/solutions/redel/redel-sp-inner-push-pull/skn-m18-gllg.html

LEMO products and services are provided "as is". LEMO makes no warranties or representations with regard to LEMO product & services or use of them, express, implied or statutory, including for accuracy, completeness, or security. The user is fully responsible for his products and applications using LEMO components.

Electrical Configuration

Contact Termination Low voltage	Solder
R (max)	8.5 mOhm
Insert configuration value	SP.M18 - 18 Low V.
Insulator	L: PEEK (UL 94 / V-0/1.5)
Rated current	2.5 Amps
Test voltage (kV rms) Contact-contact	0.75
Contact Type	Solder
Max. Solid Conductor	0.12 mm ² (AWG 28)
Max. Stranded Conductor	0.12 mm ² (AWG 28)
Air clearance	0.47 mm
Creepage distance	0.47 mm
Bucket Dia.	0.45 mm (0.0177in)
Contact Dia.	0.5 mm (0.0196in)
Number of contacts Low Voltage	18
Wire Size/AWG	36 - 28

Form & Material

Shell style / Model id	SK_SP - Fixed socket, key (N) or keys (P, S and T), with two nuts (back panel mounting), grey front nut
Socket / Receptacle	Fixed Panel Rear Mounted
Housing material	Proprietary sulfone, gray
Locking system	Push-pull
Keying	3 keys (alpha=0, gamma=30, plug: male contacts, receptacle: female contacts)
Variant	Gray front nut
Weight	5.41 g

Environment

Technical domain	Medical
Environmental protection (IP rating)	IP50
Minimal temperature	-50°C / +170°C

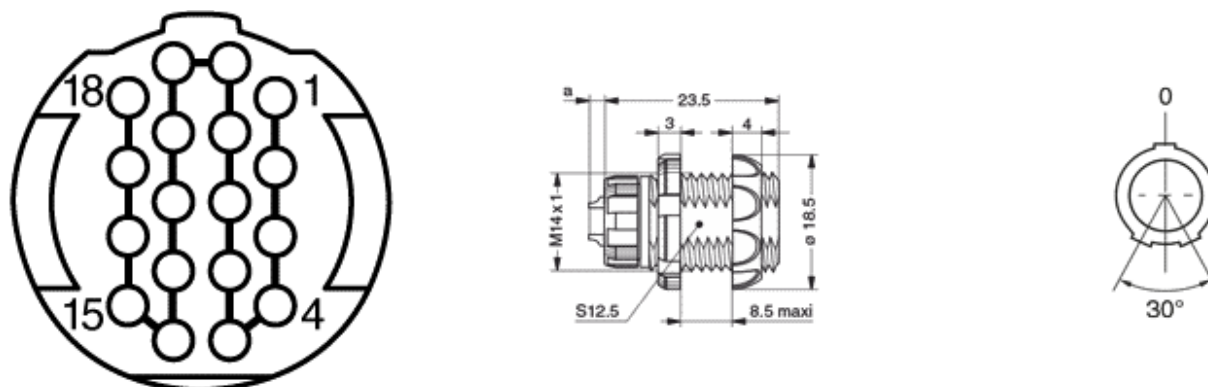
https://www.lemo.com/int_en/solutions/redel/redel-sp-inner-push-pull/skn-m18-gllg.html

LEMO products and services are provided "as is". LEMO makes no warranties or representations with regard to LEMO product & services or use of them, express, implied or statutory, including for accuracy, completeness, or security. The user is fully responsible for his products and applications using LEMO components.

Cable fixation

Cable termination protection	Standard back nut (no additional protection)
Jacket cable outside diameter [mm]	1.00 - 12.60 mm

Drawings



Dimensions

	a	B	N	e	E _{max}
mm.	2.2	18.5	23.5	M14x1	8.5
in.	0.09	0.73	0.93		0.33

Recommended By Lemo

Accessories

Tools

Cables

Cable PartNumber	Material	Colour	Cable image
CMN.18.T30.048QGZE	TPR (medical)	Grey	
236080	PVC	Grey	

https://www.lemo.com/int_en/solutions/redel/redel-sp-inner-push-pull/skn-m18-gllg.html

LEMO products and services are provided "as is". LEMO makes no warranties or representations with regard to LEMO product & services or use of them, express, implied or statutory, including for accuracy, completeness, or security. The user is fully responsible for his products and applications using LEMO components.