

Summary

[Request a quote](#)

[Catalog](#)

Number of contacts Low Voltage	6
Wire Size/AWG	34 - 28
Gender	Standard
Plug	Plug - Elbow
Locking system	Push-pull
Jacket cable outside diameter [mm]	4.60 - 5.00 mm
Size	0K
Matching parts	EGG.0K.306.KLL
Series	K - Outdoor keyed

Technical details

https://www.lemo.com/int_en/solutions/originals/k-outdoor-keyed/fhg-0k-306-klac50.html

LEMO products and services are provided "as is". LEMO makes no warranties or representations with regard to LEMO product & services or use of them, express, implied or statutory, including for accuracy, completeness, or security. The user is fully responsible for his products and applications using LEMO components.

Electrical Configuration

Contact Termination Low voltage	Solder
R (max)	8.7 mOhm
Insert configuration value	0K.306 - 6 Low Voltage
Insulator	L: PEEK (UL 94 / V-0/1.5)
Rated current	2.5 Amps
Vtest (contact-contact)	850 V (AC), 1200 V (DC)
Vtest (contact-shell)	650 V (AC), 920 V (DC)
Contact Type	Solder
Max. Solid Conductor	0.09 mm ² (AWG 28)
Max. Stranded Conductor	0.09 mm ² (AWG 28)
Bucket Dia.	0.45 mm (0.018in)
Contact Dia.	0.5 mm (0.02in)
Number of contacts Low Voltage	6
Wire Size/AWG	34 - 28
Gender	Standard

Form & Material

Shell style / Model id	FH - Elbow plug, cable collet
Plug	Elbow
Housing material	Brass (black chrome) shell and collet nut, nickel plated [SAE AMS QQ N 290] brass latch sleeve and mid pieces
Locking system	Push-pull
Keying	1 key (alpha=0, plug: male contacts, receptacle: female contacts)
Weight	17.95 g

https://www.lemo.com/int_en/solutions/originals/k-outdoor-keyed/fhg-0k-306-klac50.html

LEMO products and services are provided "as is". LEMO makes no warranties or representations with regard to LEMO product & services or use of them, express, implied or statutory, including for accuracy, completeness, or security. The user is fully responsible for his products and applications using LEMO components.

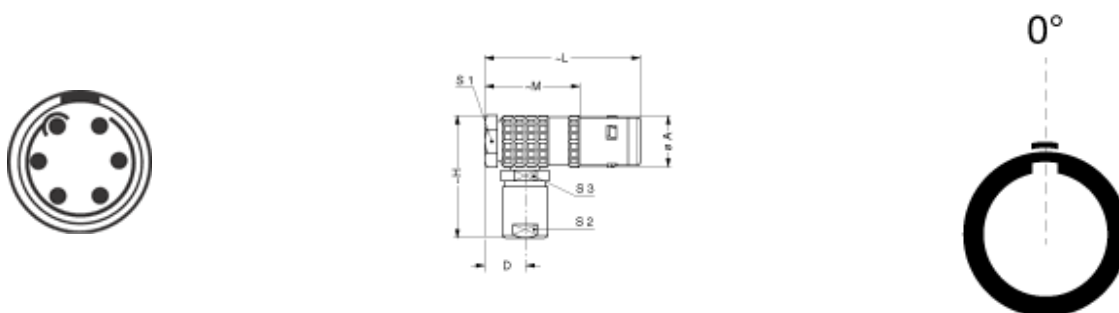
Environment

Technical domain	Audio Video, Energy and Industrial, Medical, Test and Measurement
Environmental protection (IP rating)	IP68
Minimal temperature	-55°C / +200°C
Climatical Category	50/175/21
Humidity (max)	<=95% [at 60 deg C /140 F]
Shielding (min)	95 dB (10 MHz)
Shielding (min)	80 dB (1 GHz)
Shock Resistance	100 g [6 ms]
Vibration	15 g [10 Hz - 2000 Hz]
Salt Spray Corrosion	>1000 hr

Cable fixation

Cable termination protection	Standard back nut (no additional protection)
Fixation type	Cable collet
Jacket cable outside diameter [mm]	4.60 - 5.00 mm

Drawings



Dimensions

	D	A	H	L	M	S1	S2	S3
mm.	7.6	11.5	27	36	25	10	8	8
in.	0.3	0.45	1.06	1.42	0.98	0.39	0.31	0.31

https://www.lemo.com/int_en/solutions/originals/k-outdoor-keyed/fhg-0k-306-klac50.html

LEMO products and services are provided "as is". LEMO makes no warranties or representations with regard to LEMO product & services or use of them, express, implied or statutory, including for accuracy, completeness, or security. The user is fully responsible for his products and applications using LEMO components.

Recommended By Lemo


Accessories

Tools

Spanner wrench

[DCD.0E.ZZZ.PA080](#)

Cables

Cable PartNumber	Material	Colour	Cable image
6280	PVC	Black	

https://www.lemo.com/int_en/solutions/originals/k-outdoor-keyed/fhg-0k-306-klac50.html

LEMO products and services are provided "as is". LEMO makes no warranties or representations with regard to LEMO product & services or use of them, express, implied or statutory, including for accuracy, completeness, or security. The user is fully responsible for his products and applications using LEMO components.