



## Summary

[Request a quote](#)

[Catalog](#)

[See video assembly instructions](#)

Low Voltage	14
Wire Size/AWG	34 - 28
Gender	Standard
Plug	Plug - Straight
Locking system	Push-pull
Jacket cable outside diameter [mm]	4.30 - 5.20 mm
Size	1B
Matching parts	<a href="#">EGG.1B.314.GLL</a>
Series	B - Indoor keyed

## Technical details

[https://www.lemo.com/int\\_en/solutions/originals/b-indoor-keyed/fgg-1b-314-glad52.html](https://www.lemo.com/int_en/solutions/originals/b-indoor-keyed/fgg-1b-314-glad52.html)

LEMO products and services are provided "as is". LEMO makes no warranties or representations with regard to LEMO product & services or use of them, express, implied or statutory, including for accuracy, completeness, or security. The user is fully responsible for his products and applications using LEMO components.

## Electrical Configuration

Contact Termination Low voltage	Solder
R (max)	8.7 mOhm
Insert configuration value	1B.314 - 14 Low Voltage
Insulator	L: PEEK (UL 94 / V-0/1.5)
Rated current	2 Amps
Vtest (contact-contact)	800 V (AC), 1130 V (DC)
Vtest (contact-shell)	1200 V (AC), 1700 V (DC)
Contact Type	Solder
Max. Solid Conductor	0.09 mm <sup>2</sup> (AWG 28)
Max. Stranded Conductor	0.09 mm <sup>2</sup> (AWG 28)
Bucket Dia.	0.45 mm (0.018in)
Contact Dia.	0.5 mm (0.02in)
Low Voltage	14
Wire Size/AWG	34 - 28
Gender	Standard

## Form & Material

Shell style / Model id	FG - Straight plug, cable collet, PEEK outer shell
Plug	Straight
Housing material	PEEK (Polyetheretherketone) shell and collet nut, nickel plated [SAE AMS QQ N 290] brass latch sleeve+mid pieces (if plug)
Locking system	Push-pull
Keying	1 key (alpha=0, plug: male contacts, receptacle: female contacts)
Weight	11.36 g

[https://www.lemo.com/int\\_en/solutions/originals/b-indoor-keyed/fgg-1b-314-glad52.html](https://www.lemo.com/int_en/solutions/originals/b-indoor-keyed/fgg-1b-314-glad52.html)

LEMO products and services are provided "as is". LEMO makes no warranties or representations with regard to LEMO product & services or use of them, express, implied or statutory, including for accuracy, completeness, or security. The user is fully responsible for his products and applications using LEMO components.

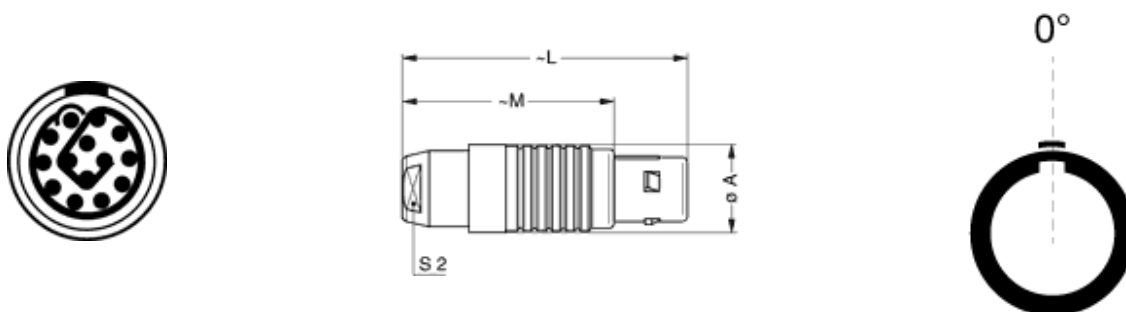
## Environment

Technical domain	Audio Video, Energy and Industrial, Medical, Semiconductor, Specialties and Other, Test and Measurement, Transportation, Aerospace and UAV
Environmental protection (IP rating)	IP50
Minimal temperature	-50°C / +250°C
Climatical Category	50/175/21
Humidity (max)	<=95% [at 60 deg C /140 F]
Shielding (min)	75 dB (10 MHz)
Shielding (min)	40 dB (1 GHz)
Shock Resistance	100 g [ 6 ms]
Vibration	15 g [10 Hz - 2000 Hz]

## Cable fixation

Cable termination protection	Standard back nut (no additional protection)
Fixation type	Cable collet
Jacket cable outside diameter [mm]	4.30 - 5.20 mm

## Drawings



## Dimensions

	S2	A	L	M
mm.	10	13.5	43	32
in.	0.39	0.53	1.69	1.26

[https://www.lemo.com/int\\_en/solutions/originals/b-indoor-keyed/fgg-1b-314-glad52.html](https://www.lemo.com/int_en/solutions/originals/b-indoor-keyed/fgg-1b-314-glad52.html)

LEMO products and services are provided "as is". LEMO makes no warranties or representations with regard to LEMO product & services or use of them, express, implied or statutory, including for accuracy, completeness, or security. The user is fully responsible for his products and applications using LEMO components.