



## Summary

[Request a quote](#)

[Catalog](#)

Number of contacts Low Voltage	9
Wire Size/AWG	34 - 28
Gender	Standard
Plug	Plug - Fixed
Locking system	Push-pull
Size	0B
Matching parts	<a href="#">PHG.0B.309.KLLD32</a>
Series	B - Indoor keyed

## Technical details

[https://www.lemo.com/int\\_en/solutions/originals/b-indoor-keyed/fag-0b-309-kla.html](https://www.lemo.com/int_en/solutions/originals/b-indoor-keyed/fag-0b-309-kla.html)

LEMO products and services are provided "as is". LEMO makes no warranties or representations with regard to LEMO product & services or use of them, express, implied or statutory, including for accuracy, completeness, or security. The user is fully responsible for his products and applications using LEMO components.

## Electrical Configuration

Contact Termination Low voltage	Solder
R (max)	8.7 mOhm
Insert configuration value	0B.309 - 9 Low Voltage
Insulator	L: PEEK (UL 94 / V-0/1.5)
Rated current	2 Amps
Vtest (contact-contact)	600 V (AC), 850 V (DC)
Vtest (contact-shell)	500 V (AC), 710 V (DC)
Contact Type	Solder
Max. Solid Conductor	0.09 mm <sup>2</sup> (AWG 28)
Max. Stranded Conductor	0.09 mm <sup>2</sup> (AWG 28)
Bucket Dia.	0.45 mm (0.018in)
Contact Dia.	0.5 mm (0.02in)
Number of contacts Low Voltage	9
Wire Size/AWG	34 - 28
Gender	Standard

## Form & Material

Shell style / Model id	FA - Fixed plug, non-latching, nut fixing
Plug	Fixed
Housing material	Brass (black chrome) shell and collet nut, nickel plated [SAE AMS QQ N 290] brass latch sleeve and mid pieces
Locking system	Push-pull
Keying	1 key (alpha=0, plug: male contacts, receptacle: female contacts)
Weight	5.19 g

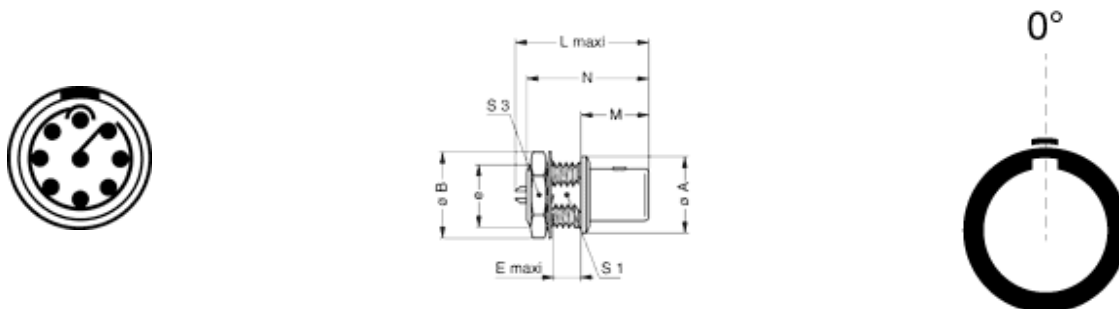
[https://www.lemo.com/int\\_en/solutions/originals/b-indoor-keyed/fag-0b-309-klia.html](https://www.lemo.com/int_en/solutions/originals/b-indoor-keyed/fag-0b-309-klia.html)

LEMO products and services are provided "as is". LEMO makes no warranties or representations with regard to LEMO product & services or use of them, express, implied or statutory, including for accuracy, completeness, or security. The user is fully responsible for his products and applications using LEMO components.

## Environment

Technical domain	Audio Video, Energy and Industrial, Medical, Semiconductor, Specialties and Other, Test and Measurement, Transportation, Aerospace and UAV
Environmental protection (IP rating)	IP50
Minimal temperature	-55°C / +250°C
Climatical Category	50/175/21
Humidity (max)	<=95% [at 60 deg C /140 F]
Shielding (min)	75 dB (10 MHz)
Shielding (min)	40 dB (1 GHz)
Shock Resistance	100 g [ 6 ms]
Vibration	15 g [10 Hz - 2000 Hz]
Salt Spray Corrosion	>1000 hr

## Drawings



## Dimensions

	<b>A</b>	<b>B</b>	<b>e</b>	<b>E</b>	<b>L</b>	<b>M</b>	<b>N</b>	<b>S1</b>	<b>S3</b>
mm.	10	12.5	M9x0.6	4.2	20.8	11.5	18.9	8.2	11
in.	0.39	0.49		0.17	0.82	0.45	0.74	0.32	0.43

## Recommended By Lemo

### Accessories

### Tools

Spanner

[DCA.91.161.1TN](#)

[https://www.lemo.com/int\\_en/solutions/originals/b-indoor-keyed/fag-0b-309-klia.html](https://www.lemo.com/int_en/solutions/originals/b-indoor-keyed/fag-0b-309-klia.html)

LEMO products and services are provided "as is". LEMO makes no warranties or representations with regard to LEMO product & services or use of them, express, implied or statutory, including for accuracy, completeness, or security. The user is fully responsible for his products and applications using LEMO components.

# Cables

Cable PartNumber	Material	Colour	Cable image
CMN.09.T28.050CNQZ			
CMN.09.T28.051PGZE		grey	
CMN.09.T28.051PNZE			
CMN.09.T28.051QGZE	TPR (medical)	Grey	

[https://www.lemo.com/int\\_en/solutions/originals/b-indoor-keyed/fag-0b-309-klia.html](https://www.lemo.com/int_en/solutions/originals/b-indoor-keyed/fag-0b-309-klia.html)

LEMO products and services are provided "as is". LEMO makes no warranties or representations with regard to LEMO product & services or use of them, express, implied or statutory, including for accuracy, completeness, or security. The user is fully responsible for his products and applications using LEMO components.