



Summary

[Request a quote](#)

[Catalog](#)

Number of contacts Low Voltage	30
Gender	Standard
Socket / Receptacle	Socket / Receptacle - Fixed Panel Front Mounted
Locking system	Ratchet
Size	3M
Matching parts	FMN.3M.330.XLC
Series	M - Rugged Ratchet coupling

Technical details

Electrical Configuration

Contact Termination Low voltage	PCB - Straight
R (max)	6.1 mOhm
Insert configuration value	3M.330 - 30 Low Voltage
Insulator	L: PEEK
Rated current	3.5 Amps
Test voltage (kV rms) Contact-contact	1.10
Test voltage (kV rms) Contact-shell	1.00
Contact Type	Print (straight)
Contact Dia.	0.7 mm (0.028in)
Number of contacts Low Voltage	30
Gender	Standard

https://www.lemo.com/int_en/solutions/optima/m-ratchet-coupling/egn-3m-330-xln.html

LEMO products and services are provided "as is". LEMO makes no warranties or representations with regard to LEMO product & services or use of them, express, implied or statutory, including for accuracy, completeness, or security. The user is fully responsible for his products and applications using LEMO components.

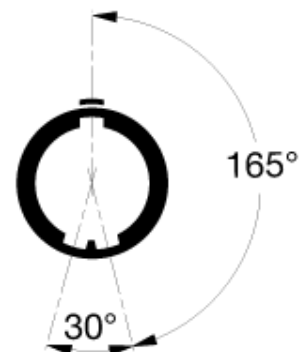
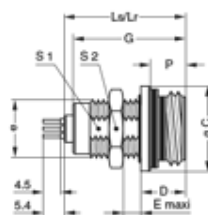
Form & Material

Shell style / Model id	EG - Fixed receptacle, nut fixing, for printed circuit
Socket / Receptacle	Fixed Panel Front Mounted
Housing material	Aluminium (nickel plated [SAE AMS QQ N 290], anthracite color) shell and nut, other pieces bronze/brass
Locking system	Ratchet
Keying	3 keys (beta=165, gamma=30, plug: male contacts, receptacle: female contacts)
Weight	21.15 g

Environment

Technical domain	Motorsport, Security and Defence, Transportation, Aerospace and UAV
Environmental protection (IP rating)	IP68
Minimal temperature	-20°C / +200°C
EMI Shielding EIA 364-66A	≥ 80 dB (1 GHz), ≥ 70 dB (3 GHz), ≥ 58 dB (6 GHz), ≥ 40 dB (10 GHz)
Gunfire vibration	25 Hz - 2000 Hz, 3 axis (Apache helicopter)
Humidity (max)	21 days at 95%
Lighting strike EIA 364-76	10K amps - 6 times
Shock Resistance	300 g [3 ms]
Thermal shock	5 cycles: -65°C to +150°C
Vibration-Random	37.8 g rms - 3 axes, 4 hr amb [50 Hz - 2000 Hz]
Vibration-Sine	30 g, 3 axes, 12 hr [10 Hz - 2000 Hz]
Salt Spray Corrosion	max. 48 hr

Drawings



https://www.lemo.com/int_en/solutions/optima/m-ratchet-coupling/egn-3m-330-xln.html

LEMO products and services are provided "as is". LEMO makes no warranties or representations with regard to LEMO product & services or use of them, express, implied or statutory, including for accuracy, completeness, or security. The user is fully responsible for his products and applications using LEMO components.

Dimensions

	C	D	e	E	G	Ls	Lr	P	S1	S2
mm.	19.2	6.8	M16x1.0	4	16.8	18.3	18.3	5.3	14.5	19
in.	0.76	0.27		0.16	0.66	0.72	0.72	0.21	0.57	0.75

https://www.lemo.com/int_en/solutions/optima/m-ratchet-coupling/egn-3m-330-xln.html

LEMO products and services are provided "as is". LEMO makes no warranties or representations with regard to LEMO product & services or use of them, express, implied or statutory, including for accuracy, completeness, or security. The user is fully responsible for his products and applications using LEMO components.