



## Summary

[Request a quote](#)

[Catalog](#)

Number of contacts Low Voltage	5
Gender	Standard
Socket / Receptacle	Socket / Receptacle - Fixed Panel Front Mounted
Locking system	Ratchet
Size	1M
Matching parts	<a href="#">FMN.1M.305.XLC</a>
Series	M - Rugged Ratchet coupling

## Technical details

### Electrical Configuration

Contact Termination Low voltage	PCB - Straight
R (max)	4.8 mOhm
Insert configuration value	1M.305 - 5 Low Voltage
Insulator	L: PEEK
Rated current	9 Amps
Test voltage (kV rms) Contact-contact	1.3
Test voltage (kV rms) Contact-shell	1.3
Contact Type	Print (straight)
Contact Dia.	0.9 mm (0.035in)
Number of contacts Low Voltage	5
Gender	Standard

[https://www.lemo.com/int\\_en/solutions/optima/m-ratchet-coupling/egn-1m-305-xln.html](https://www.lemo.com/int_en/solutions/optima/m-ratchet-coupling/egn-1m-305-xln.html)

LEMO products and services are provided "as is". LEMO makes no warranties or representations with regard to LEMO product & services or use of them, express, implied or statutory, including for accuracy, completeness, or security. The user is fully responsible for his products and applications using LEMO components.

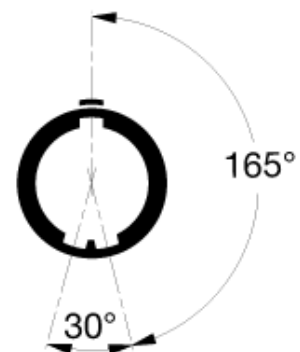
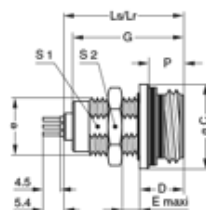
## Form & Material

Shell style / Model id	EG - Fixed receptacle, nut fixing, for printed circuit
Socket / Receptacle	Fixed Panel Front Mounted
Housing material	Aluminium (nickel plated [SAE AMS QQ N 290], anthracite color) shell and nut, other pieces bronze/brass
Locking system	Ratchet
Keying	3 keys (beta=165, gamma=30, plug: male contacts, receptacle: female contacts)
Weight	3.65 g

## Environment

Technical domain	Motorsport, Security and Defence, Transportation, Aerospace and UAV
Environmental protection (IP rating)	IP68
Minimal temperature	-20°C / +200°C
EMI Shielding EIA 364-66A	$\geq 80$ dB (1 GHz), $\geq 70$ dB (3 GHz), $\geq 58$ dB (6 GHz), $\geq 40$ dB (10 GHz)
Gunfire vibration	25 Hz - 2000 Hz, 3 axis (Apache helicopter)
Humidity (max)	21 days at 95%
Lighting strike EIA 364-76	10K amps - 6 times
Shock Resistance	300 g [ 3 ms]
Thermal shock	5 cycles: -65°C to +150°C
Vibration-Random	37.8 g rms - 3 axes, 4 hr amb [50 Hz - 2000 Hz]
Vibration-Sine	30 g, 3 axes, 12 hr [10 Hz - 2000 Hz]
Salt Spray Corrosion	max. 48 hr

## Drawings



[https://www.lemo.com/int\\_en/solutions/optima/m-ratchet-coupling/egn-1m-305-xln.html](https://www.lemo.com/int_en/solutions/optima/m-ratchet-coupling/egn-1m-305-xln.html)

LEMO products and services are provided "as is". LEMO makes no warranties or representations with regard to LEMO product & services or use of them, express, implied or statutory, including for accuracy, completeness, or security. The user is fully responsible for his products and applications using LEMO components.

## Dimensions

	<b>C</b>	<b>D</b>	<b>e</b>	<b>E</b>	<b>G</b>	<b>Ls</b>	<b>Lr</b>	<b>P</b>	<b>S1</b>	<b>S2</b>
mm.	14.2	6.8	M11x1.0	4.5	16.8	18.3	18.3	5.3	9.5	13
in.	0.56	0.27		0.18	0.66	0.72	0.72	0.21	0.37	0.51

[https://www.lemo.com/int\\_en/solutions/optima/m-ratchet-coupling/egn-1m-305-xln.html](https://www.lemo.com/int_en/solutions/optima/m-ratchet-coupling/egn-1m-305-xln.html)

LEMO products and services are provided "as is". LEMO makes no warranties or representations with regard to LEMO product & services or use of them, express, implied or statutory, including for accuracy, completeness, or security. The user is fully responsible for his products and applications using LEMO components.