



## Summary

[Request a quote](#)

[Catalog](#)

Coax	1
Number of contacts Low Voltage	22
Wire Size/AWG	30 - 22
Gender	Standard
Socket / Receptacle	Socket / Receptacle - Fixed Panel Rear Mounted
Locking system	Push-pull
Jacket cable outside diameter [mm]	2.00 - 22.60 mm
Size	3K
Matching parts	<a href="#">FGG.3K.822.CLAK131</a>
Series	K - Outdoor keyed

## Technical details

[https://www.lemo.com/int\\_en/solutions/originals/k-outdoor-keyed/eeg-3k-822-cll1.html](https://www.lemo.com/int_en/solutions/originals/k-outdoor-keyed/eeg-3k-822-cll1.html)

LEMO products and services are provided "as is". LEMO makes no warranties or representations with regard to LEMO product & services or use of them, express, implied or statutory, including for accuracy, completeness, or security. The user is fully responsible for his products and applications using LEMO components.

## Electrical Configuration

Contact Termination Low voltage	Solder
Coax	1
Contact Termination Coax	Crimp
R (max)	5.8 mOhm
Insert configuration value	3K.822 - 1 Coax (50 Ohm), 22 Low V.
Insulator	L: PEEK (UL 94 / V-0/1.5)
Rated current	5 Amps
Test voltage (kV rms)	0.7
Contact Type	Coaxial 50 Ohm (Crimp) Type C
Cable type	Cable type: A RG 174 A/U, RG 188 A/U, RG 316 /U S
Contact Dia.	0.7 mm (0.03in)
Number of contacts Low Voltage	22
Wire Size/AWG	30 - 22
Gender	Standard

## Form & Material

Shell style / Model id	EE - Fixed receptacle, nut fixing (back panel mounting)
Socket / Receptacle	Fixed Panel Rear Mounted
Housing material	Brass (chrome plated [SAE AMS 2460]) shell, collet nut and latch sleeve, nickel plated [SAE AMS QQ N 290] brass mid pieces
Locking system	Push-pull
Keying	1 key (alpha=0, plug: male contacts, receptacle: female contacts)
Weight	62.03 g

[https://www.lemo.com/int\\_en/solutions/originals/k-outdoor-keyed/eeg-3k-822-cll1.html](https://www.lemo.com/int_en/solutions/originals/k-outdoor-keyed/eeg-3k-822-cll1.html)

LEMO products and services are provided "as is". LEMO makes no warranties or representations with regard to LEMO product & services or use of them, express, implied or statutory, including for accuracy, completeness, or security. The user is fully responsible for his products and applications using LEMO components.

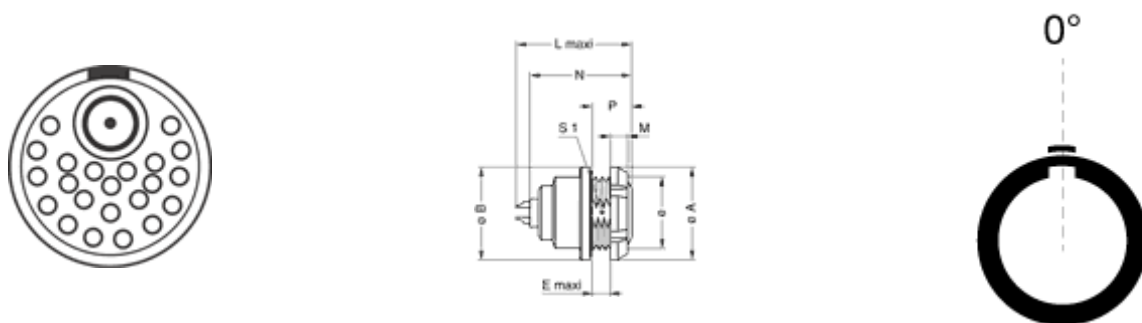
## Environment

Technical domain	Audio Video, Energy and Industrial, Medical, Test and Measurement
Environmental protection (IP rating)	IP68
Minimal temperature	-55°C / +200°C
Climatical Category	50/175/21
Humidity (max)	<=95% [at 60 deg C /140 F]
Shielding (min)	95 dB (10 MHz)
Shielding (min)	80 dB (1 GHz)
Shock Resistance	100 g [ 6 ms]
Vibration	15 g [10 Hz - 2000 Hz]
Salt Spray Corrosion	>1000 hr

## Cable fixation

Jacket cable outside diameter [mm]	2.00 - 22.60 mm
------------------------------------	-----------------

## Drawings



## Dimensions

	<b>A</b>	<b>B</b>	<b>e</b>	<b>E</b>	<b>L</b>	<b>M</b>	<b>N</b>	<b>P</b>	<b>S1</b>
mm.	30	31	M24x1.0	7.5	36.2	4.5	33.6	12	22.5
in.	1.18	1.22		0.3	1.43	0.18	1.32	0.47	0.89

[https://www.lemo.com/int\\_en/solutions/originals/k-outdoor-keyed/eeg-3k-822-cl11.html](https://www.lemo.com/int_en/solutions/originals/k-outdoor-keyed/eeg-3k-822-cl11.html)

LEMO products and services are provided "as is". LEMO makes no warranties or representations with regard to LEMO product & services or use of them, express, implied or statutory, including for accuracy, completeness, or security. The user is fully responsible for his products and applications using LEMO components.