



Image for illustrative purpose only

Summary

[Request a quote](#)

[Catalog](#)

| | |
|--------------------------------|----------------------------|
| Number of contacts Low Voltage | 4 |
| Wire Size/AWG | 34 - 28 |
| Socket / Receptacle | Socket / Receptacle - Free |
| Locking system | Threaded |
| Size | 3 |

https://www.lemo.com/int_en/pvg-03-304-cllk50.html

LEMO products and services are provided "as is". LEMO makes no warranties or representations with regard to LEMO product & services or use of them, express, implied or statutory, including for accuracy, completeness, or security. The user is fully responsible for his products and applications using LEMO components.

Technical details

Electrical Configuration

| | |
|---------------------------------|-------------------------------|
| Contact Termination Low voltage | Solder |
| R (max) | 8.7 mOhm |
| Insert configuration value | 3.304 - 4 Low Voltage |
| Rated current | 2 A |
| Contact Type | Solder |
| Max. Solid Conductor | 0.09 mm ² (AWG 28) |
| Max. Stranded Conductor | 0.05 mm ² (AWG 30) |
| Bucket Dia. | 0.4 mm (0.016in) |
| Contact Dia. | 0.5 mm (0.02in) |
| Number of contacts Low Voltage | 4 |
| Wire Size/AWG | 34 - 28 |

Form & Material

| | |
|------------------------|---|
| Shell style / Model id | PVG - Free socket oversize cable collet |
| Socket / Receptacle | Free |
| Housing material | Brass (chrome plated [SAE AMS 2460]) shell and collet nut, nickel plated [SAE AMS QQ N 290] brass latch sleeve and mid pieces |
| Locking system | Threaded |
| Keying | G: 1 key (alpha=0, Plug: male contacts, Receptacle: female contacts) |
| Weight | 14.41 g |

Environment

| | |
|-----------------------------------|---|
| Environmental sealing (IP rating) | IP68 |
| Temperature range | -20°C / +200°C |
| Climatical Category | 20/200/21 |
| Humidity (max) | <=95% [at 60 deg C /140 F] |
| Shielding (min) | 100 dB (10 MHz) |
| Shielding (min) | 80 dB (1 GHz) |
| Pressure | 60 bars (120 bars with LEMO cable assembly) |
| Salt Spray Corrosion | >1000 hr |

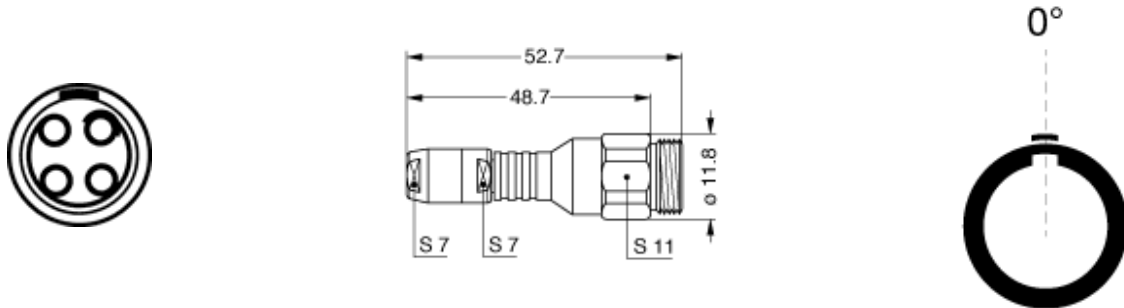
https://www.lemo.com/int_en/pvg-03-304-cllk50.html

LEMO products and services are provided "as is". LEMO makes no warranties or representations with regard to LEMO product & services or use of them, express, implied or statutory, including for accuracy, completeness, or security. The user is fully responsible for his products and applications using LEMO components.

Cable fixation

| | |
|------------------------------|--|
| Cable termination protection | Standard back nut (no additional protection) |
| Fixation type | Cable collet |

Drawings



Dimensions

| | A | L | M | S1 | S2 | S3 |
|-----|------|------|------|------|------|------|
| mm. | 11.8 | 52.7 | 48.7 | 11 | 7 | 7 |
| in. | 0.46 | 2.07 | 1.92 | 0.43 | 0.28 | 0.28 |

https://www.lemo.com/int_en/pvg-03-304-clk50.html

LEMO products and services are provided "as is". LEMO makes no warranties or representations with regard to LEMO product & services or use of them, express, implied or statutory, including for accuracy, completeness, or security. The user is fully responsible for his products and applications using LEMO components.