



Summary

[Request a quote](#)

[Catalog](#)

Number of contacts Low Voltage	5
Wire Size/AWG	26 - 22
Gender	Standard
Socket / Receptacle	Socket / Receptacle - Fixed Panel Front Mounted
Locking system	Push-pull
Jacket cable outside diameter [mm]	4.60 - 5.00 mm
Size	0K
Series	K - Outdoor keyed

https://www.lemo.com/int_en/solutions/originals/k-outdoor-keyed/pkg-0k-305-cymk50.html

LEMO products and services are provided "as is". LEMO makes no warranties or representations with regard to LEMO product & services or use of them, express, implied or statutory, including for accuracy, completeness, or security. The user is fully responsible for his products and applications using LEMO components.

Technical details

Electrical Configuration

Contact Termination Low voltage	Crimp
R (max)	6.1 mOhm
Insert configuration value	0K.305 - 5 Low Voltage
Insulator	Y: PEEK for crimp contacts
Rated current	6.5 A
Vtest (contact-contact)	1250 V (AC), 1770 V (DC)
Vtest (contact-shell)	1200 V (AC), 1700 V (DC)
Contact retention	22 N
Contact Type	Crimp
Max. Conductor	0.34 mm ² (AWG 22)
Min. Conductor	0.14 mm ² (AWG 26)
Bucket Dia.	0.8 mm (0.031in)
Contact Dia.	0.7 mm (0.028in)
Number of contacts Low Voltage	5
Wire Size/AWG	26 - 22
Gender	Standard

Form & Material

Shell style / Model id	PK - Fixed receptacle, nut fixing, cable collet
Socket / Receptacle	Fixed Panel Front Mounted
Housing material	Brass (chrome plated [SAE AMS 2460]) shell, collet nut and latch sleeve, nickel plated [SAE AMS QQ N 290] brass mid pieces
Locking system	Push-pull
Keying	1 key (alpha=0, plug: male contacts, receptacle: female contacts)

https://www.lemo.com/int_en/solutions/originals/k-outdoor-keyed/pkg-0k-305-cymk50.html

LEMO products and services are provided "as is". LEMO makes no warranties or representations with regard to LEMO product & services or use of them, express, implied or statutory, including for accuracy, completeness, or security. The user is fully responsible for his products and applications using LEMO components.

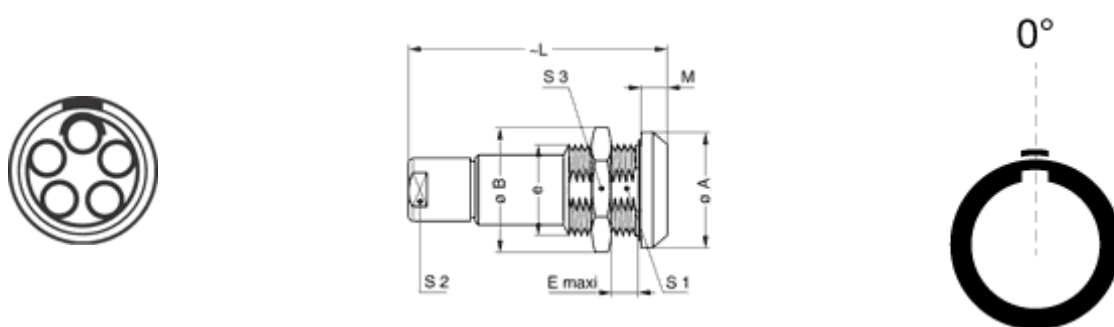
Environment

Technical domain	Audio Video, Energy and Industrial, Medical, Test and Measurement
Environmental sealing (IP rating)	IP68
Endurance	5000 mating cycles
Temperature range	-55°C / +200°C
Climatical Category	50/175/21
Humidity (max)	<=95% [at 60 deg C /140 F]
Shielding (min)	95 dB (10 MHz)
Shielding (min)	80 dB (1 GHz)
Shock Resistance	100 g [6 ms]
Vibration	15 g [10 Hz - 2000 Hz]
Salt Spray Corrosion	>1000 hr

Cable fixation

Cable termination protection	Standard back nut (no additional protection)
Fixation type	Cable collet
Jacket cable outside diameter [mm]	4.60 - 5.00 mm

Drawings



Dimensions

	A	B	e	E	L	M	S1	S2	S3
mm.	18	19.2	M14x1.0	9	35.2	4	12.5	8	17
in.	0.71	0.76		0.35	1.39	0.16	0.49	0.31	0.67

https://www.lemo.com/int_en/solutions/originals/k-outdoor-keyed/pkg-0k-305-cymk50.html

LEMO products and services are provided "as is". LEMO makes no warranties or representations with regard to LEMO product & services or use of them, express, implied or statutory, including for accuracy, completeness, or security. The user is fully responsible for his products and applications using LEMO components.

Recommended By Lemo

Accessories

Replacement contact	EGG.0B.655.ZZM
---------------------	--------------------------------

Tools


Positionner	DCE.91.070.BVM
-------------	--------------------------------

Extraction tool	DCC.07.04B.LAG
-----------------	--------------------------------

Crimp tool	DPC.91.701.V
------------	------------------------------

Spanner wrench	DCD.0E.ZZZ.PA080
----------------	----------------------------------

Cables

Cable PartNumber	Material	Colour	Cable image
50140	PVC	Grey	

https://www.lemo.com/int_en/solutions/originals/k-outdoor-keyed/pkg-0k-305-cymk50.html

LEMO products and services are provided "as is". LEMO makes no warranties or representations with regard to LEMO product & services or use of them, express, implied or statutory, including for accuracy, completeness, or security. The user is fully responsible for his products and applications using LEMO components.