



## Summary

[Request a quote](#)

[Catalog](#)

Number of contacts Low Voltage	10
Wire Size/AWG	14 - 10
Gender	Standard
Socket / Receptacle	Socket / Receptacle - Free
Locking system	Push-pull
Size	5N
Matching parts	<a href="#">FZU.5N.310.TYCW17</a>
Series	N - Nuclear Stainless Steel

## Technical details

[https://www.lemo.com/int\\_en/solutions/supreme/n-nuclear-stainless-steel/phu-5n-310-tymw17.html](https://www.lemo.com/int_en/solutions/supreme/n-nuclear-stainless-steel/phu-5n-310-tymw17.html)

LEMO products and services are provided "as is". LEMO makes no warranties or representations with regard to LEMO product & services or use of them, express, implied or statutory, including for accuracy, completeness, or security. The user is fully responsible for his products and applications using LEMO components.

## Electrical Configuration

Contact Termination Low voltage	Crimp
R (max)	3.1 mOhm
Insert configuration value	5N.310 - 10 Low Voltage
Insulator	Y: PEEK
Rated current	20 Amps
Contact retention	75 N
Contact Type	Crimp
Max. Conductor	4 mm <sup>2</sup> (AWG 10)
Min. Conductor	2.5 mm <sup>2</sup> (AWG 14)
Bucket Dia.	2.9 mm (0.114in)
Contact Dia.	3 mm (0.118in)
Number of contacts Low Voltage	10
Wire Size/AWG	14 - 10
Gender	Standard

## Form & Material

Shell style / Model id	PHU - Free Receptacle, cable clamp.
Socket / Receptacle	Free
Housing material	Stainless steel shell, collet nut and latch sleeve, nickel plated [SAE AMS QQ N 290] brass mid pieces
Locking system	Push-pull
Keying	User configurable, up to 32 key positions. Female contacts

## Environment

Technical domain	Energy and Industrial, Specialties and Other
Environmental sealing (IP rating)	IP66

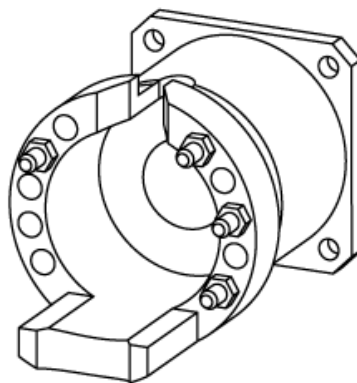
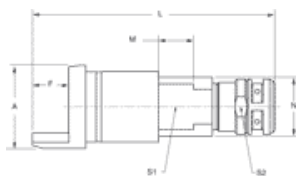
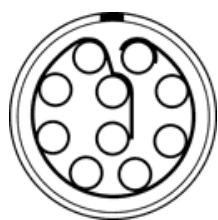
## Cable fixation

Cable termination protection	Standard back nut (no additional protection)
Fixation type	Cable collet

[https://www.lemo.com/int\\_en/solutions/supreme/n-nuclear-stainless-steel/phu-5n-310-tymw17.html](https://www.lemo.com/int_en/solutions/supreme/n-nuclear-stainless-steel/phu-5n-310-tymw17.html)

LEMO products and services are provided "as is". LEMO makes no warranties or representations with regard to LEMO product & services or use of them, express, implied or statutory, including for accuracy, completeness, or security. The user is fully responsible for his products and applications using LEMO components.

# Drawings



## Dimensions

	<b>S1</b>	<b>N</b>	<b>M</b>	<b>L</b>	<b>F</b>	<b>A</b>	<b>S2</b>
mm.	42	45	27	186.5	28	55	40
in.	1.65	1.77	1.06	7.34	1.1	2.17	1.57

[https://www.lemo.com/int\\_en/solutions/supreme/n-nuclear-stainless-steel/phu-5n-310-tymw17.html](https://www.lemo.com/int_en/solutions/supreme/n-nuclear-stainless-steel/phu-5n-310-tymw17.html)

LEMO products and services are provided "as is". LEMO makes no warranties or representations with regard to LEMO product & services or use of them, express, implied or statutory, including for accuracy, completeness, or security. The user is fully responsible for his products and applications using LEMO components.