



*Image for illustrative purpose only*

## Summary

[Request a quote](#)

[Catalog](#)

|                                    |                            |
|------------------------------------|----------------------------|
| Nb of contacts Fiber optic         | 2                          |
| Gender                             | Standard                   |
| Socket / Receptacle                | Socket / Receptacle - Free |
| Locking system                     | Push-pull                  |
| Jacket cable outside diameter [mm] | 4.90 - 6.20 mm             |
| Size                               | 3B                         |
| Series                             | B - Indoor keyed           |

[https://www.lemo.com/int\\_en/solutions/originals/b-indoor-keyed/phg-3b-07a-clld62z.html](https://www.lemo.com/int_en/solutions/originals/b-indoor-keyed/phg-3b-07a-clld62z.html)

LEMO products and services are provided "as is". LEMO makes no warranties or representations with regard to LEMO product & services or use of them, express, implied or statutory, including for accuracy, completeness, or security. The user is fully responsible for his products and applications using LEMO components.

# Technical details

## Electrical Configuration

|                            |  |
|----------------------------|--|
| Nb of contacts Fiber optic | 2  |
| Insert configuration value | 3B.07A - 2 FO Type F1 ( $\geq 140 \mu\text{m}$ ) |
| Insulator                  | L: PEEK (UL 94 / V-0/1.5)                        |
| Gender                     | Standard   |

## Form & Material

|                        |   |
|------------------------|---|
| Shell style / Model id | PH - Free receptacle, cable collet and nut for fitting a bend relief  |
| Socket / Receptacle    | Free  |
| Housing material       | Brass (chrome plated [SAE AMS 2460]) shell and collet nut, nickel plated [SAE AMS QQ N 290] brass latch sleeve and mid pieces |
| Locking system         | Push-pull   |
| Keying                 | G: 1 key ( $\alpha=0$ , plug: male contacts, receptacle: female contacts)   |
| Colour                 | Grey  |
| Variant                | Nut for fitting a bend relief   |

## Environment

|                                   |  |
|-----------------------------------|--|
| Technical domain                  | Audio Video, Energy and Industrial, Medical, Semiconductor, Specialties and Other, Test and Measurement, Transportation, Aerospace and UAV |
| Environmental sealing (IP rating) | IP50   |
| Endurance                         | 5000 mating cycles   |
| Temperature range                 | $-55^{\circ}\text{C}$ / $+250^{\circ}\text{C}$   |
| Climatical Category               | 50/175/21  |
| Humidity (max)                    | $\leq 95\%$ [at $60^{\circ}\text{C}$ / $140^{\circ}\text{F}$ ]   |
| Shielding (min)                   | 75 dB (10 MHz)   |
| Shielding (min)                   | 40 dB (1 GHz)  |
| Shock Resistance                  | 100 g [ 6 ms]  |
| Vibration                         | 15 g [10 Hz - 2000 Hz]   |
| Salt Spray Corrosion              | $>1000$ hr   |

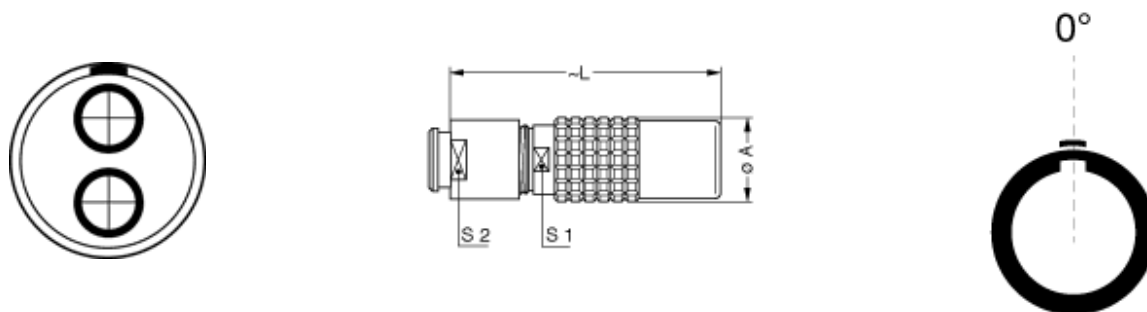
[https://www.lemo.com/int\\_en/solutions/originals/b-indoor-keyed/phg-3b-07a-clld62z.html](https://www.lemo.com/int_en/solutions/originals/b-indoor-keyed/phg-3b-07a-clld62z.html)

LEMO products and services are provided "as is". LEMO makes no warranties or representations with regard to LEMO product & services or use of them, express, implied or statutory, including for accuracy, completeness, or security. The user is fully responsible for his products and applications using LEMO components.

## Cable fixation

|                                    |                       |
|------------------------------------|-----------------------|
| Cable termination protection       | For cable bend relief |
| Fixation type                      | Cable collet          |
| Jacket cable outside diameter [mm] | 4.90 - 6.20 mm        |

## Drawings



## Dimensions

|     | <b>A</b> | <b>S1</b> | <b>S2</b> | <b>L</b> |
|-----|----------|-----------|-----------|----------|
| mm. | 19       | 15        | 15        | 54.5     |
| in. | 0.75     | 0.59      | 0.59      | 2.15     |

## Recommended By Lemo

### Accessories

Compatible cap [BRF.3S.200.NAS](#)

### Tools

Spanner [DCP.91.023.TN](#)

Spanner wrench [DCD.3B.ZZZ.PA150](#)

[https://www.lemo.com/int\\_en/solutions/originals/b-indoor-keyed/phg-3b-07a-clld62z.html](https://www.lemo.com/int_en/solutions/originals/b-indoor-keyed/phg-3b-07a-clld62z.html)

LEMO products and services are provided "as is". LEMO makes no warranties or representations with regard to LEMO product & services or use of them, express, implied or statutory, including for accuracy, completeness, or security. The user is fully responsible for his products and applications using LEMO components.