



*Image for illustrative purpose only*

## Summary

[Request a quote](#)

[Catalog](#)

Number of contacts Low Voltage	4
Wire Size/AWG	28 - 20
Gender	Standard
Socket / Receptacle	Socket / Receptacle - Free
Locking system	Push-pull
Jacket cable outside diameter [mm]	4.30 - 5.20 mm
Size	2B
Suggested matching part	<a href="#">FGG.2B.304.CYZD52Z</a>
Series	B - Indoor keyed

[https://www.lemo.com/int\\_en/solutions/originals/b-indoor-keyed/phg-2b-304-cyzd52z.html](https://www.lemo.com/int_en/solutions/originals/b-indoor-keyed/phg-2b-304-cyzd52z.html)

LEMO products and services are provided "as is". LEMO makes no warranties or representations with regard to LEMO product & services or use of them, express, implied or statutory, including for accuracy, completeness, or security. The user is fully responsible for his products and applications using LEMO components.

# Technical details

## Electrical Configuration

Insert configuration value	2B.304 - 4 Low Voltage
Insulator	Y: PEEK for crimp contacts
Rated current	15 A
Contact Type	No contact(s)
Contact Dia.	1.3
Number of contacts Low Voltage	4
Wire Size/AWG	28 - 20
Gender	Standard

## Form & Material

Shell style / Model id	PH - Free receptacle, cable collet and nut for fitting a bend relief
Socket / Receptacle	Free
Housing material	Brass (chrome plated [SAE AMS 2460]) shell and collet nut, nickel plated [SAE AMS QQ N 290] brass latch sleeve and mid pieces
Locking system	Push-pull
Keying	G: 1 key (alpha=0, plug: male contacts, receptacle: female contacts)
Colour	Grey
Variant	Nut for fitting a bend relief

## Environment

Technical domain	Audio Video, Energy and Industrial, Medical, Semiconductor, Specialties and Other, Test and Measurement, Transportation, Aerospace and UAV
Environmental sealing (IP rating)	IP50
Endurance	5000 mating cycles
Temperature range	-55°C / +250°C
Climatical Category	50/175/21
Humidity (max)	<=95% [at 60 deg C /140 F]
Shielding (min)	75 dB (10 MHz)
Shielding (min)	40 dB (1 GHz)
Shock Resistance	100 g [ 6 ms]
Vibration	15 g [10 Hz - 2000 Hz]
Salt Spray Corrosion	>1000 hr

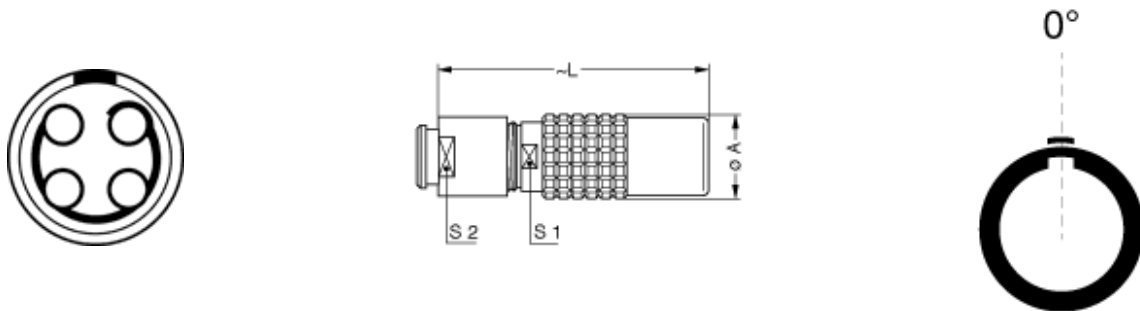
[https://www.lemo.com/int\\_en/solutions/originals/b-indoor-keyed/phg-2b-304-cydz52z.html](https://www.lemo.com/int_en/solutions/originals/b-indoor-keyed/phg-2b-304-cydz52z.html)

LEMO products and services are provided "as is". LEMO makes no warranties or representations with regard to LEMO product & services or use of them, express, implied or statutory, including for accuracy, completeness, or security. The user is fully responsible for his products and applications using LEMO components.

## Cable fixation

Cable termination protection	For cable bend relief
Fixation type	Cable collet
Jacket cable outside diameter [mm]	4.30 - 5.20 mm

## Drawings



## Dimensions

	A	L	S2	S1
mm.	16.5	46	12	13
in.	0.65	1.81	0.47	0.51

## Recommended By Lemo

### Accessories

Compatible cap [BRF.2S.200.NAS](#)

### Tools

Spanner [DCP.91.023.TN](#)

Spanner wrench [DCD.2B.ZZZ.PA120](#)

[https://www.lemo.com/int\\_en/solutions/originals/b-indoor-keyed/phg-2b-304-cyzd52z.html](https://www.lemo.com/int_en/solutions/originals/b-indoor-keyed/phg-2b-304-cyzd52z.html)

LEMO products and services are provided "as is". LEMO makes no warranties or representations with regard to LEMO product & services or use of them, express, implied or statutory, including for accuracy, completeness, or security. The user is fully responsible for his products and applications using LEMO components.