

Summary

[Request a quote](#)

[Catalog](#)

Thermocouple	2
Wire Size/AWG	28 - 20
Gender	Standard
Socket / Receptacle	Socket / Receptacle - Free
Locking system	Push-pull
Jacket cable outside diameter [mm]	5.30 - 6.20 mm
Size	1B
Series	B - Indoor keyed

Technical details

https://www.lemo.com/int_en/solutions/originals/b-indoor-keyed/phg-1b-302-clkd62.html

LEMO products and services are provided "as is". LEMO makes no warranties or representations with regard to LEMO product & services or use of them, express, implied or statutory, including for accuracy, completeness, or security. The user is fully responsible for his products and applications using LEMO components.

Electrical Configuration

Thermocouple	2
Insert configuration value	1B.302/ThC - 1 Thermocouple Pair
Insulator	L: PEEK (UL 94 / V-0/1.5)
Rated current	15 Amps
ThC. Materials (P+/N-)	Chromel / Alumel
Contact Dia.	1.3
Wire Size/AWG	28 - 20
Gender	Standard

Form & Material

Shell style / Model id	PH - Free receptacle, cable collet
Socket / Receptacle	Free
Housing material	Brass (chrome plated [SAE AMS 2460]) shell and collet nut, nickel plated [SAE AMS QQ N 290] brass latch sleeve and mid pieces
Locking system	Push-pull
Keying	1 key (alpha=0, plug: male contacts, receptacle: female contacts)
Weight	19.65 g

Environment

Technical domain	Audio Video, Energy and Industrial, Medical, Semiconductor, Specialties and Other, Test and Measurement, Transportation, Aerospace and UAV
Environmental protection (IP rating)	IP50
Minimal temperature	-55°C / +250°C
Climatical Category	50/175/21
Humidity (max)	<=95% [at 60 deg C /140 F]
Shielding (min)	75 dB (10 MHz)
Shielding (min)	40 dB (1 GHz)
Shock Resistance	100 g [6 ms]
Vibration	15 g [10 Hz - 2000 Hz]
Salt Spray Corrosion	>1000 hr

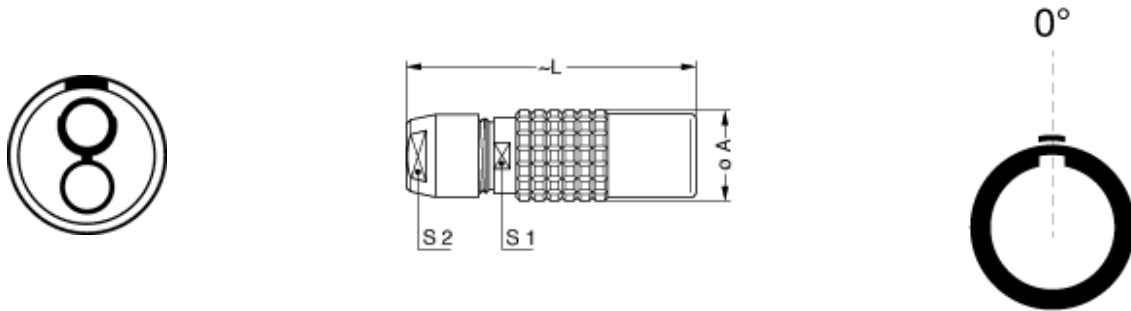
https://www.lemo.com/int_en/solutions/originals/b-indoor-keyed/phg-1b-302-clkd62.html

LEMO products and services are provided "as is". LEMO makes no warranties or representations with regard to LEMO product & services or use of them, express, implied or statutory, including for accuracy, completeness, or security. The user is fully responsible for his products and applications using LEMO components.

Cable fixation

Cable termination protection	Standard back nut (no additional protection)
Fixation type	Cable collet
Jacket cable outside diameter [mm]	5.30 - 6.20 mm

Drawings



Dimensions

	S1	L	A	S2
mm.	10	40.5	12.5	9
in.	0.39	1.59	0.49	0.35

https://www.lemo.com/int_en/solutions/originals/b-indoor-keyed/phg-1b-302-clkd62.html

LEMO products and services are provided "as is". LEMO makes no warranties or representations with regard to LEMO product & services or use of them, express, implied or statutory, including for accuracy, completeness, or security. The user is fully responsible for his products and applications using LEMO components.