



Image for illustrative purpose only

Summary

[Request a quote](#)

[Catalog](#)

| | |
|------------------------------------|--|
| Number of contacts Low Voltage | 6 |
| Wire Size/AWG | 18 - 14 |
| Gender | Standard |
| Socket / Receptacle | Socket / Receptacle - Fixed Panel Rear Mounted |
| Locking system | Push-pull |
| Jacket cable outside diameter [mm] | 9.60 - 10.00 mm |
| Size | 3K |
| Series | K - Outdoor keyed |

https://www.lemo.com/int_en/solutions/originals/k-outdoor-keyed/peg-3k-306-yymc10e.html

LEMO products and services are provided "as is". LEMO makes no warranties or representations with regard to LEMO product & services or use of them, express, implied or statutory, including for accuracy, completeness, or security. The user is fully responsible for his products and applications using LEMO components.

Technical details

Electrical Configuration

| | |
|---------------------------------|------------------------------|
| Number of contacts Low Voltage | 6 |
| Contact Termination Low voltage | Crimp |
| R (max) | 3.5 mOhm |
| Insert configuration value | 3K.306 - 6 Low Voltage |
| Insulator | Y: PEEK for crimp contacts |
| Rated current | 17 A |
| Vtest (contact-contact) | 2.7 kV (DC) |
| Vtest (contact-shell) | 2.6 kV (DC) |
| Contact retention | 50 N |
| Max. Conductor | 1.5 mm ² (AWG 14) |
| Min. Conductor | 1 mm ² (AWG 18) |
| Bucket Dia. | 1.9 mm (0.075in) |
| Contact Dia. | 1.6 mm (0.063in) |
| Wire Size/AWG | 18 - 14 |
| Gender | Standard |

Form & Material

| | |
|------------------------|---|
| Shell style / Model id | PE - Fixed receptacle, nut fixing, cable collet (back panel mounting) |
| Socket / Receptacle | Fixed Panel Rear Mounted |
| Housing material | Special housing (see notes for details) |
| Locking system | Push-pull |
| Keying | G: 1 key (alpha=0, plug: male contacts, receptacle: female contacts) |
| Variant | Gasket and O-ring in EPDM |

https://www.lemo.com/int_en/solutions/originals/k-outdoor-keyed/peg-3k-306-yymc10e.html

LEMO products and services are provided "as is". LEMO makes no warranties or representations with regard to LEMO product & services or use of them, express, implied or statutory, including for accuracy, completeness, or security. The user is fully responsible for his products and applications using LEMO components.

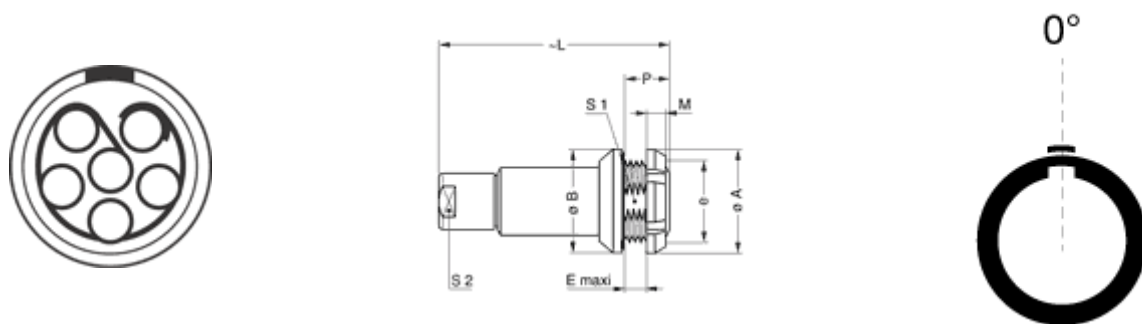
Environment

| | |
|-----------------------------------|---|
| Technical domain | Audio Video, Energy and Industrial, Medical, Test and Measurement |
| Environmental sealing (IP rating) | IP68 |
| Endurance | 5000 mating cycles |
| Temperature range | -55°C / +200°C |
| Climatical Category | 50/175/21 |
| Humidity (max) | <=95% [at 60 deg C /140 F] |
| Shielding (min) | 95 dB (10 MHz) |
| Shielding (min) | 80 dB (1 GHz) |
| Shock Resistance | 100 g [6 ms] |
| Vibration | 15 g [10 Hz - 2000 Hz] |

Cable fixation

| | |
|------------------------------------|--|
| Cable termination protection | Standard back nut (no additional protection) |
| Fixation type | Cable collet |
| Jacket cable outside diameter [mm] | 9.60 - 10.00 mm |

Drawings



Dimensions

| | A | P | M | L | E | e | B | S1 | S2 |
|-----|----------|----------|----------|----------|----------|----------|----------|-----------|-----------|
| mm. | 30 | 12 | 4.5 | 65 | 7.5 | M24x1.0 | 31 | 22.5 | 15 |
| in. | 1.18 | 0.47 | 0.18 | 2.56 | 0.3 | | 1.22 | 0.89 | 0.59 |

https://www.lemo.com/int_en/solutions/originals/k-outdoor-keyed/peg-3k-306-yymc10e.html

LEMO products and services are provided "as is". LEMO makes no warranties or representations with regard to LEMO product & services or use of them, express, implied or statutory, including for accuracy, completeness, or security. The user is fully responsible for his products and applications using LEMO components.

Recommended By Lemo

Accessories

Replacement contact [EGG.3B.670.ZZM](#)

Tools

Positionner [DCE.91.163.BVCM](#)

Extraction tool [DCC.16.25B.LAG](#)

Crimp tool [DPC.91.101.A](#)

Spanner wrench [Socket for torque wrench DCM.65.270.AZ](#)

https://www.lemo.com/int_en/solutions/originals/k-outdoor-keyed/peg-3k-306-yymc10e.html

LEMO products and services are provided "as is". LEMO makes no warranties or representations with regard to LEMO product & services or use of them, express, implied or statutory, including for accuracy, completeness, or security. The user is fully responsible for his products and applications using LEMO components.