



## Summary

[Request a quote](#)

[Catalog](#)

Number of contacts Low Voltage	5
Wire Size/AWG	28 - 20
Gender	Standard
Socket / Receptacle	Socket / Receptacle - Fixed Panel Rear Mounted
Locking system	Push-pull
Jacket cable outside diameter [mm]	8.10 - 8.50 mm
Size	2K
Suggested matching part	<a href="#">FGG.2K.305.CLAC85</a>
Series	K - Outdoor keyed

[https://www.lemo.com/int\\_en/solutions/originals/k-outdoor-keyed/peg-2k-305-cllc85.html](https://www.lemo.com/int_en/solutions/originals/k-outdoor-keyed/peg-2k-305-cllc85.html)

LEMO products and services are provided "as is". LEMO makes no warranties or representations with regard to LEMO product & services or use of them, express, implied or statutory, including for accuracy, completeness, or security. The user is fully responsible for his products and applications using LEMO components.

# Technical details

## Electrical Configuration

Contact Termination Low voltage	Solder
R (max)	3.6 mOhm
Insert configuration value	2K.305 - 5 Low Voltage
Insulator	L: PEEK (UL 94 / V-0/1.5)
Rated current	14 A
Vtest (contact-contact)	1750 V (AC), 2500 V (DC)
Vtest (contact-shell)	1600 V (AC), 2250 V (DC)
Contact Type	Solder
Max. Solid Conductor	0.5 mm <sup>2</sup> (AWG 20)
Max. Stranded Conductor	0.5 mm <sup>2</sup> (AWG 20)
Bucket Dia.	1 mm (0.039in)
Contact Dia.	1.3 mm (0.051in)
Number of contacts Low Voltage	5
Wire Size/AWG	28 - 20
Gender	Standard

## Form & Material

Shell style / Model id	PE - Fixed receptacle, nut fixing, cable collet (back panel mounting)
Socket / Receptacle	Fixed Panel Rear Mounted
Housing material	Brass (chrome plated [SAE AMS 2460]) shell, collet nut and latch sleeve, nickel plated [SAE AMS QQ N 290] brass mid pieces
Locking system	Push-pull
Keying	1 key (alpha=0, plug: male contacts, receptacle: female contacts)
Weight	57.83 g

[https://www.lemo.com/int\\_en/solutions/originals/k-outdoor-keyed/peg-2k-305-cllc85.html](https://www.lemo.com/int_en/solutions/originals/k-outdoor-keyed/peg-2k-305-cllc85.html)

LEMO products and services are provided "as is". LEMO makes no warranties or representations with regard to LEMO product & services or use of them, express, implied or statutory, including for accuracy, completeness, or security. The user is fully responsible for his products and applications using LEMO components.

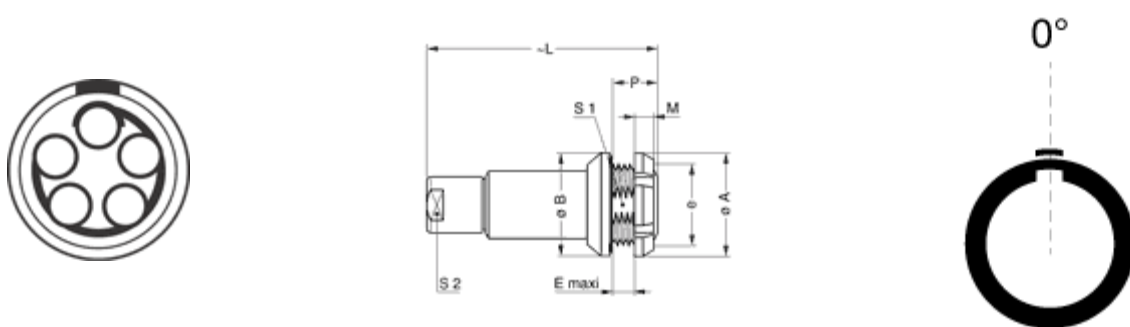
## Environment

Technical domain	Audio Video, Energy and Industrial, Medical, Test and Measurement
Environmental sealing (IP rating)	IP68
Endurance	5000 mating cycles
Temperature range	-55°C / +200°C
Climatical Category	50/175/21
Humidity (max)	<=95% [at 60 deg C /140 F]
Shielding (min)	95 dB (10 MHz)
Shielding (min)	80 dB (1 GHz)
Shock Resistance	100 g [ 6 ms]
Vibration	15 g [10 Hz - 2000 Hz]
Salt Spray Corrosion	>1000 hr

## Cable fixation

Cable termination protection	Standard back nut (no additional protection)
Fixation type	Cable collet
Jacket cable outside diameter [mm]	8.10 - 8.50 mm

## Drawings



## Dimensions

	S1	P	M	L	E	e	B	A	S2
mm.	18.5	7.5	3.5	54	4	M20x1.0	25	25	12
in.	0.73	0.3	0.14	2.13	0.16		0.98	0.98	0.47

[https://www.lemo.com/int\\_en/solutions/originals/k-outdoor-keyed/peg-2k-305-cllc85.html](https://www.lemo.com/int_en/solutions/originals/k-outdoor-keyed/peg-2k-305-cllc85.html)

LEMO products and services are provided "as is". LEMO makes no warranties or representations with regard to LEMO product & services or use of them, express, implied or statutory, including for accuracy, completeness, or security. The user is fully responsible for his products and applications using LEMO components.