



Image for illustrative purpose only

## Summary

[Request a quote](#)

[Catalog](#)

Number of contacts Low Voltage	7
Wire Size/AWG	30 - 22
Gender	Standard
Socket / Receptacle	Socket / Receptacle - Fixed Panel Rear Mounted
Locking system	Push-pull
Jacket cable outside diameter [mm]	4.60 - 5.00 mm
Size	1K
Suggested matching part	<a href="#">FGG.1K.307.CLAC50</a>
Series	K - Outdoor keyed

[https://www.lemo.com/int\\_en/solutions/originals/k-outdoor-keyed/peg-1k-307-cllc50.html](https://www.lemo.com/int_en/solutions/originals/k-outdoor-keyed/peg-1k-307-cllc50.html)

LEMO products and services are provided "as is". LEMO makes no warranties or representations with regard to LEMO product & services or use of them, express, implied or statutory, including for accuracy, completeness, or security. The user is fully responsible for his products and applications using LEMO components.

# Technical details

## Electrical Configuration

Number of contacts Low Voltage	7
Contact Termination Low voltage	Solder
R (max)	6.1 mOhm
Insert configuration value	1K.307 - 7 Low Voltage
Insulator	L: PEEK (UL 94 / V-0/1.5)
Rated current	7 A
Vtest (contact-contact)	1.4 kV (DC)
Vtest (contact-shell)	1.5 kV (DC)
Max. Solid Conductor	0.34 mm <sup>2</sup> (AWG 22)
Max. Stranded Conductor	0.34 mm <sup>2</sup> (AWG 22)
Bucket Dia.	0.8 mm (0.031in)
Contact Dia.	0.7 mm (0.028in)
Wire Size/AWG	30 - 22
Gender	Standard

## Form & Material

Shell style / Model id	PE - Fixed receptacle, nut fixing, cable collet (back panel mounting)
Socket / Receptacle	Fixed Panel Rear Mounted
Housing material	Brass (chrome plated [SAE AMS 2460]) shell, collet nut and latch sleeve, nickel plated [SAE AMS QQ N 290] brass mid pieces
Locking system	Push-pull
Keying	G: 1 key (alpha=0, plug: male contacts, receptacle: female contacts)
Colour	Grey
Weight	34.74 g

[https://www.lemo.com/int\\_en/solutions/originals/k-outdoor-keyed/peg-1k-307-cllc50.html](https://www.lemo.com/int_en/solutions/originals/k-outdoor-keyed/peg-1k-307-cllc50.html)

LEMO products and services are provided "as is". LEMO makes no warranties or representations with regard to LEMO product & services or use of them, express, implied or statutory, including for accuracy, completeness, or security. The user is fully responsible for his products and applications using LEMO components.

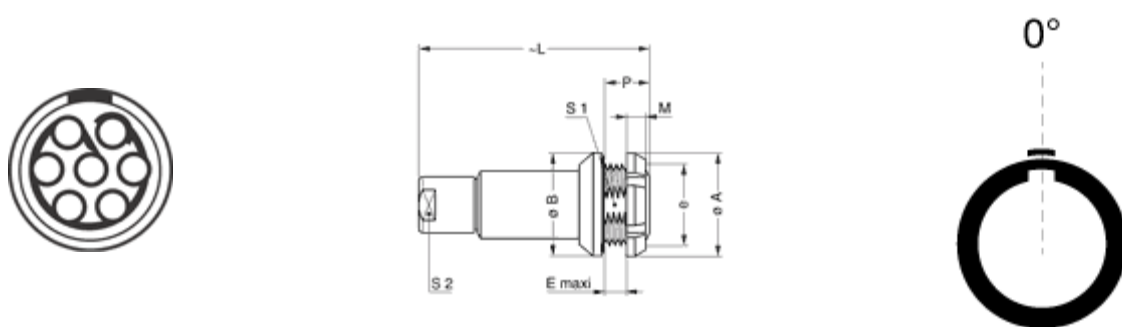
## Environment

Technical domain	Audio Video, Energy and Industrial, Medical, Test and Measurement
Environmental sealing (IP rating)	IP68
Endurance	5000 mating cycles
Temperature range	-55°C / +200°C
Climatical Category	50/175/21
Humidity (max)	<=95% [at 60 deg C /140 F]
Shielding (min)	95 dB (10 MHz)
Shielding (min)	80 dB (1 GHz)
Shock Resistance	100 g [ 6 ms]
Vibration	15 g [10 Hz - 2000 Hz]
Salt Spray Corrosion	>1000 hr

## Cable fixation

Cable termination protection	Standard back nut (no additional protection)
Fixation type	Cable collet
Jacket cable outside diameter [mm]	4.60 - 5.00 mm

## Drawings



## Dimensions

	<b>A</b>	<b>S1</b>	<b>B</b>	<b>e</b>	<b>E</b>	<b>L</b>	<b>M</b>	<b>P</b>	<b>S2</b>
mm.	20	14.5	20	M16x1.0	6.5	45	3.5	10	9
in.	0.79	0.57	0.79		0.26	1.77	0.14	0.39	0.35

[https://www.lemo.com/int\\_en/solutions/originals/k-outdoor-keyed/peg-1k-307-cllc50.html](https://www.lemo.com/int_en/solutions/originals/k-outdoor-keyed/peg-1k-307-cllc50.html)

LEMO products and services are provided "as is". LEMO makes no warranties or representations with regard to LEMO product & services or use of them, express, implied or statutory, including for accuracy, completeness, or security. The user is fully responsible for his products and applications using LEMO components.

# Cables

Cable PartNumber	Material	Colour	Cable image
70140	PVC	Grey	

[https://www.lemo.com/int\\_en/solutions/originals/k-outdoor-keyed/peg-1k-307-cllc50.html](https://www.lemo.com/int_en/solutions/originals/k-outdoor-keyed/peg-1k-307-cllc50.html)

LEMO products and services are provided "as is". LEMO makes no warranties or representations with regard to LEMO product & services or use of them, express, implied or statutory, including for accuracy, completeness, or security. The user is fully responsible for his products and applications using LEMO components.