

Special



*Image for illustrative purpose only*

## Summary

[Request a quote](#)

thermocouple

Nb of contacts Thermocouple	2
Socket / Receptacle	Socket / Receptacle - Free
Locking system	Push-pull
Jacket cable outside diameter [mm]	4.30 - 5.20 mm
Size	2S
Series	S - Indoor Stepped Insert

[https://www.lemo.com/int\\_en/solutions/originals/s-indoor-stepped-insert/pca-2s-901-clkc52.html](https://www.lemo.com/int_en/solutions/originals/s-indoor-stepped-insert/pca-2s-901-clkc52.html)

LEMO products and services are provided "as is". LEMO makes no warranties or representations with regard to LEMO product & services or use of them, express, implied or statutory, including for accuracy, completeness, or security. The user is fully responsible for his products and applications using LEMO components.

# Technical details

## Electrical Configuration

Nb of contacts Thermocouple	2
Contact Termination Thermocouple	Solder
Insert configuration value	2S.901/ThC - 1 Thermocouple Pair
Insulator	L: PEEK (UL 94 / V-0/1.5)
ThC. Materials (P+/N-)	Chromel / Alumel

## Form & Material

Shell style / Model id	PCA - Free receptacle, cable collet
Socket / Receptacle	Free
Housing material	Brass (chrome plated [SAE AMS 2460]) shell and collet nut, nickel plated [SAE AMS QQ N 290] brass latch sleeve and mid pieces
Locking system	Push-pull
Keying	Hermaphroditic keying (half moon insert) with female pin 1
Colour	Grey

## Environment

Technical domain	Audio Video, Energy and Industrial, Semiconductor, Test and Measurement
Environmental sealing (IP rating)	IP50
Endurance	5000 mating cycles
Temperature range	-55°C / +250°C (max. temperature valid for short periods of use.)
Climatic Category	55/175/21
Humidity (max)	<=95% [at 60 deg C /140 F]
Shielding (min)	75 dB (10 MHz)
Shielding (min)	40 dB (1 GHz)
Shock Resistance	100 g [ 6 ms]
Vibration	15 g [10 Hz - 2000 Hz]
Salt Spray Corrosion	>1000 hr

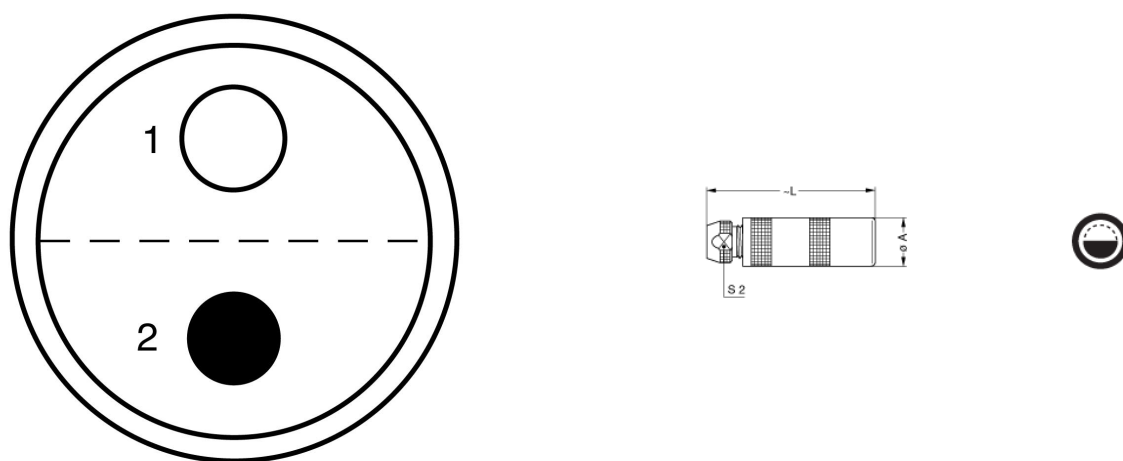
[https://www.lemo.com/int\\_en/solutions/originals/s-indoor-stepped-insert/pca-2s-901-clkc52.html](https://www.lemo.com/int_en/solutions/originals/s-indoor-stepped-insert/pca-2s-901-clkc52.html)

LEMO products and services are provided "as is". LEMO makes no warranties or representations with regard to LEMO product & services or use of them, express, implied or statutory, including for accuracy, completeness, or security. The user is fully responsible for his products and applications using LEMO components.

## Cable fixation

Cable termination protection	Standard back nut (no additional protection)
Fixation type	Cable collet
Jacket cable outside diameter [mm]	4.30 - 5.20 mm

## Drawings



Contact 1: Alumel (-)  
Contact 2: Chromel (+)

## Dimensions

	<b>A</b>	<b>L</b>	<b>S2</b>	<b>C</b>
mm.	14.8	50	11	8.5
in.	0.58	1.97	0.43	0.33

## Recommended By Lemo

### Accessories

Compatible cap

[BRF.2S.200.NAS](#)

[https://www.lemo.com/int\\_en/solutions/originals/s-indoor-stepped-insert/pca-2s-901-clkc52.html](https://www.lemo.com/int_en/solutions/originals/s-indoor-stepped-insert/pca-2s-901-clkc52.html)

LEMO products and services are provided "as is". LEMO makes no warranties or representations with regard to LEMO product & services or use of them, express, implied or statutory, including for accuracy, completeness, or security. The user is fully responsible for his products and applications using LEMO components.