



Image for illustrative purpose only

Summary

[Request a quote](#)

[Catalog](#)

Number of contacts Low Voltage	8
Gender	Standard
Socket / Receptacle	Socket / Receptacle - Fixed Panel Front Mounted
Locking system	Threaded
Size	2W
Series	W - Underwater

https://www.lemo.com/int_en/solutions/supreme/w-underwater/hvg-2w-308-clnpv.html

LEMO products and services are provided "as is". LEMO makes no warranties or representations with regard to LEMO product & services or use of them, express, implied or statutory, including for accuracy, completeness, or security. The user is fully responsible for his products and applications using LEMO components.

Technical details

Electrical Configuration

Contact Termination Low voltage	PCB - Straight
R (max)	4.8 mOhm
Insert configuration value	2W.308 - 8 Low Voltage
Rated current	10 A
Contact Type	Print (straight)
Contact Dia.	0.9 mm (0.035in)
Number of contacts Low Voltage	8
Gender	Standard

Form & Material

Shell style / Model id	HV - Fixed socket, nut fixing, vacuumtight
Socket / Receptacle	Fixed Panel Front Mounted
Housing material	Brass (chrome plated [SAE AMS 2460]) shell and collet nut, nickel plated [SAE AMS QQ N 290] brass latch sleeve and mid pieces
Locking system	Threaded
Keying	G: 1 key (alpha=0, Plug: male contacts, Receptacle: female contacts)
Colour	Grey
Variant	Watertight / Vacuum-tested unmated (connector to device)
Weight	27.73 g

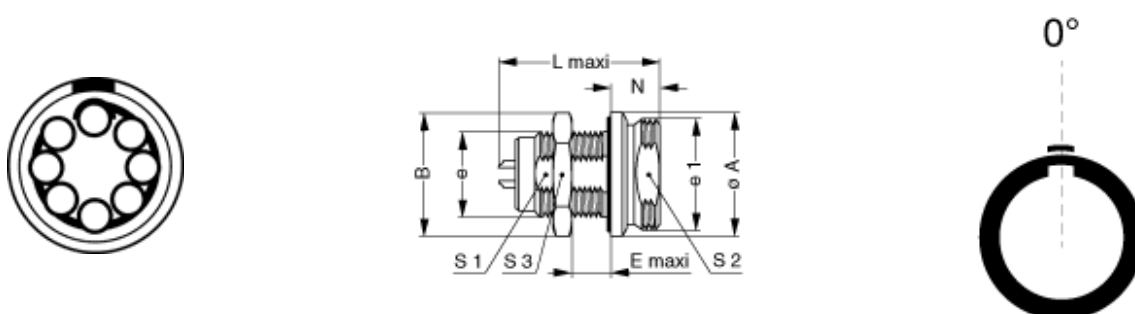
https://www.lemo.com/int_en/solutions/supreme/w-underwater/hvg-2w-308-clnpv.html

LEMO products and services are provided "as is". LEMO makes no warranties or representations with regard to LEMO product & services or use of them, express, implied or statutory, including for accuracy, completeness, or security. The user is fully responsible for his products and applications using LEMO components.

Environment

Technical domain	Specialties and Other
Environmental sealing (IP rating)	Hermetic unmated
Endurance	1000 mating cycles
Temperature range	-20°C / +80°C
Climatical Category	20/200/21
Humidity (max)	<=95% [at 60 deg C /140 F]
Shielding (min)	95 dB (10 MHz)
Shielding (min)	80 dB (1 GHz)
Pressure	40 bars
R leak (He) (max)	0.0000001 mbar*/s (if vacuum-tested)
Salt Spray Corrosion	>1000 hr

Drawings



Dimensions

	A	B	e	e1	E	L	N	S1	S2	S3
mm.	22.5	21.8	M16x1.0	M20x1.0	12	35.8	9	14.5	18.5	19
in.	0.89	0.86			0.47	1.41	0.35	0.57	0.73	0.75

Recommended By Lemo

Accessories

Compatible cap

[BRE.2V.200.NAV](#)

https://www.lemo.com/int_en/solutions/supreme/w-underwater/hvg-2w-308-clnpv.html

LEMO products and services are provided "as is". LEMO makes no warranties or representations with regard to LEMO product & services or use of them, express, implied or statutory, including for accuracy, completeness, or security. The user is fully responsible for his products and applications using LEMO components.