



## Summary

[Request a quote](#)

[Catalog](#)

Number of contacts Low Voltage	10
Wire Size/AWG	28 - 20
Gender	Reverse Gender
Socket / Receptacle	Socket / Receptacle - Fixed Panel Front Mounted
Locking system	Push-pull
Size	3N
Series	N - Nuclear Stainless Steel

## Technical details

[https://www.lemo.com/int\\_en/solutions/supreme/n-nuclear-stainless-steel/hsg-3n-310-tlapv.html](https://www.lemo.com/int_en/solutions/supreme/n-nuclear-stainless-steel/hsg-3n-310-tlapv.html)

LEMO products and services are provided "as is". LEMO makes no warranties or representations with regard to LEMO product & services or use of them, express, implied or statutory, including for accuracy, completeness, or security. The user is fully responsible for his products and applications using LEMO components.

## Electrical Configuration

Contact Termination Low voltage	Solder
R (max)	3.6 mOhm
Insert configuration value	3N.310 - 10 Low Voltage
Insulator	L: PEEK (UL 94 / V-0/1.5)
Contact Type	Solder
Max. Solid Conductor	0.5 mm <sup>2</sup> (AWG 20)
Max. Stranded Conductor	0.5 mm <sup>2</sup> (AWG 20)
Bucket Dia.	1 mm (0.039in)
Contact Dia.	1.3 mm (0.051in)
Number of contacts Low Voltage	10
Wire Size/AWG	28 - 20
Gender	Reverse Gender

## Form & Material

Shell style / Model id	HSG - Fixed receptacle, with long pre-positioning sleeve, watertight or vaccumtight
Socket / Receptacle	Fixed Panel Front Mounted
Housing material	Stainless steel shell, collet nut and latch sleeve, nickel plated [SAE AMS QQ N 290] brass mid pieces
Locking system	Push-pull
Keying	Push-Pull latch for manipulator. Male contacts
Variant	Watertight / Vacuum-tested unmated (connector to device)
Weight	208.62 g

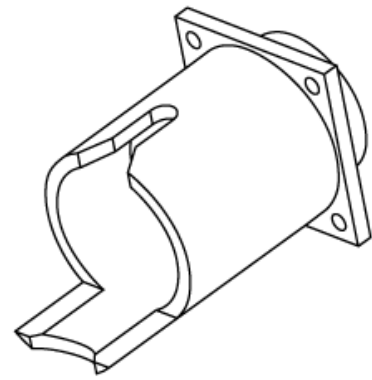
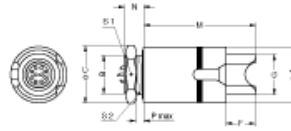
## Environment

Technical domain	Energy and Industrial, Specialties and Other
Environmental protection (IP rating)	Hermetic unmated
R leak (He) (max)	0.0000001 mbar*/s (if vacuum-tested)

## Drawings

[https://www.lemo.com/int\\_en/solutions/supreme/n-nuclear-stainless-steel/hsg-3n-310-tlapv.html](https://www.lemo.com/int_en/solutions/supreme/n-nuclear-stainless-steel/hsg-3n-310-tlapv.html)

LEMO products and services are provided "as is". LEMO makes no warranties or representations with regard to LEMO product & services or use of them, express, implied or statutory, including for accuracy, completeness, or security. The user is fully responsible for his products and applications using LEMO components.



## Dimensions

	<b>A</b>	<b>B</b>	<b>C</b>	<b>F</b>	<b>G</b>	<b>M</b>	<b>N</b>	<b>P</b>	<b>S1</b>	<b>S2</b>
mm.	32	M24x1.0	34	18.5	19	68.5	13.0	8.0	30	22.5
in.	1.26		1.34	0.73	0.75	2.7	0.51	0.31	1.18	0.89

## Recommended By Lemo




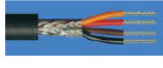
### Accessories

### Tools

[https://www.lemo.com/int\\_en/solutions/supreme/n-nuclear-stainless-steel/hsg-3n-310-tlapv.html](https://www.lemo.com/int_en/solutions/supreme/n-nuclear-stainless-steel/hsg-3n-310-tlapv.html)

LEMO products and services are provided "as is". LEMO makes no warranties or representations with regard to LEMO product & services or use of them, express, implied or statutory, including for accuracy, completeness, or security. The user is fully responsible for his products and applications using LEMO components.

# Cables

Cable PartNumber	Material	Colour	Cable image
CMN.10.T20.080PGZE		grey	
CMN.10.T20.080PNZE			
CMN.10.T20.080QGC	TPR	Grey	
CMN.10.T22.068QGZE	TPR (medical)	Grey	
CMN.10.T28.052PGZE		grey	
CMN.10.T28.052PNZE			
CMN.10.T28.053QGZE	TPR (medical)	Grey	
110220	PVC	Black	
110240	PTFE	White	
110260	PTFE	White	
110280	PVC	Black	
210140	PVC	Grey	
210240	PVC	Black	
210250	PVC	Grey	
210260	PVC	Black	

[https://www.lemo.com/int\\_en/solutions/supreme/n-nuclear-stainless-steel/hsg-3n-310-tlapv.html](https://www.lemo.com/int_en/solutions/supreme/n-nuclear-stainless-steel/hsg-3n-310-tlapv.html)

LEMO products and services are provided "as is". LEMO makes no warranties or representations with regard to LEMO product & services or use of them, express, implied or statutory, including for accuracy, completeness, or security. The user is fully responsible for his products and applications using LEMO components.