



## Summary

[Request a quote](#)

[Catalog](#)

Number of contacts Low Voltage	3
Wire Size/AWG	28 - 20
Gender	Standard
Socket / Receptacle	Socket / Receptacle - Fixed Panel Rear Mounted
Locking system	Push-pull
Jacket cable outside diameter [mm]	1.00 - 14.60 mm
Size	1K
Suggested matching part	<a href="#">FGG.1K.303.CLAC40</a>
Series	K - Outdoor keyed

[https://www.lemo.com/int\\_en/solutions/originals/k-outdoor-keyed/heg-1k-303-cllph.html](https://www.lemo.com/int_en/solutions/originals/k-outdoor-keyed/heg-1k-303-cllph.html)

LEMO products and services are provided "as is". LEMO makes no warranties or representations with regard to LEMO product & services or use of them, express, implied or statutory, including for accuracy, completeness, or security. The user is fully responsible for his products and applications using LEMO components.

# Technical details

## Electrical Configuration

Contact Termination Low voltage	Solder
R (max)	3.6 mOhm
Insert configuration value	1K.303 - 3 Low Voltage
Insulator	L: PEEK (UL 94 / V-0/1.5)
Rated current	12 A
Vtest (contact-contact)	1300 V (AC), 1840 V (DC)
Vtest (contact-shell)	1550 V (AC), 2200 V (DC)
Contact Type	Solder
Max. Solid Conductor	0.5 mm <sup>2</sup> (AWG 20)
Max. Stranded Conductor	0.5 mm <sup>2</sup> (AWG 20)
Bucket Dia.	1 mm (0.039in)
Contact Dia.	1.3 mm (0.051in)
Number of contacts Low Voltage	3
Wire Size/AWG	28 - 20
Gender	Standard

## Form & Material

Shell style / Model id	HE - Fixed receptacle, nut fixing, watertight or vacuum-tight (back panel mounting)
Socket / Receptacle	Fixed Panel Rear Mounted
Housing material	Brass (chrome plated [SAE AMS 2460]) shell, collet nut and latch sleeve, nickel plated [SAE AMS QQ N 290] brass mid pieces
Locking system	Push-pull
Keying	1 key (alpha=0, plug: male contacts, receptacle: female contacts)
Variant	Watertight unmated (connector to device), Viton O-Ring
Weight	22.43 g

[https://www.lemo.com/int\\_en/solutions/originals/k-outdoor-keyed/heg-1k-303-cllph.html](https://www.lemo.com/int_en/solutions/originals/k-outdoor-keyed/heg-1k-303-cllph.html)

LEMO products and services are provided "as is". LEMO makes no warranties or representations with regard to LEMO product & services or use of them, express, implied or statutory, including for accuracy, completeness, or security. The user is fully responsible for his products and applications using LEMO components.

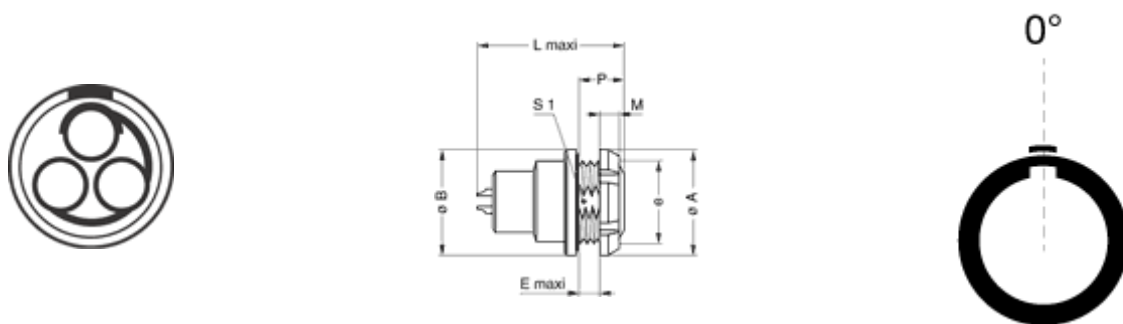
## Environment

Technical domain	Audio Video, Energy and Industrial, Medical, Test and Measurement
Environmental sealing (IP rating)	IP68
Endurance	5000 mating cycles
Temperature range	-20°C / +100°C
Climatical Category	20/80/21
Humidity (max)	<=95% [at 60 deg C /140 F]
Shielding (min)	95 dB (10 MHz)
Shielding (min)	80 dB (1 GHz)
Shock Resistance	100 g [ 6 ms]
Vibration	15 g [10 Hz - 2000 Hz]
Pressure	60 bars
Salt Spray Corrosion	>1000 hr

## Cable fixation

Jacket cable outside diameter [mm]	1.00 - 14.60 mm
------------------------------------	-----------------

## Drawings



## Dimensions

	<b>A</b>	<b>E</b>	<b>L</b>	<b>M</b>	<b>P</b>	<b>S1</b>	<b>B</b>	<b>e</b>
mm.	20	6.2	30.6	3.5	10	14.5	20	M16x1.0
in.	0.79	0.24	1.2	0.14	0.39	0.57	0.79	

[https://www.lemo.com/int\\_en/solutions/originals/k-outdoor-keyed/heg-1k-303-cllph.html](https://www.lemo.com/int_en/solutions/originals/k-outdoor-keyed/heg-1k-303-cllph.html)

LEMO products and services are provided "as is". LEMO makes no warranties or representations with regard to LEMO product & services or use of them, express, implied or statutory, including for accuracy, completeness, or security. The user is fully responsible for his products and applications using LEMO components.

# Recommended By Lemo

## Accessories

---

## Tools

---

Spanner

[DCH.91.201.PA](#)

Spanner wrench

[Socket for torque wrench DCM.1E.M16.6](#)

[https://www.lemo.com/int\\_en/solutions/originals/k-outdoor-keyed/heg-1k-303-cllph.html](https://www.lemo.com/int_en/solutions/originals/k-outdoor-keyed/heg-1k-303-cllph.html)

LEMO products and services are provided "as is". LEMO makes no warranties or representations with regard to LEMO product & services or use of them, express, implied or statutory, including for accuracy, completeness, or security. The user is fully responsible for his products and applications using LEMO components.

# Cables

Cable PartNumber	Material	Colour	Cable image
CMN.03.T20.049PGZE		grey	
CMN.03.T20.049PNZE			
CMN.03.T28.031PGCE	PVC	GREY	
CMN.03.T28.031PGZE		grey	
CMN.03.T28.031PNCE	PVC	Black	
CMN.03.T28.031PNZE			
130240	PVC	Black	
130250	PVC	Grey	
230500	PVC	Grey	
230750	PVC	Grey	
30110	PVC	Grey	
30141	PVC	Grey	
30260	PVC	Black	
3041	PVC	Grey	
3050	PVC	Black	
3081	PVC	Black	
3220	PVC	Black	
3280	PVC	Black	
60080	PVC	Grey	

[https://www.lemo.com/int\\_en/solutions/originals/k-outdoor-keyed/heg-1k-303-cllph.html](https://www.lemo.com/int_en/solutions/originals/k-outdoor-keyed/heg-1k-303-cllph.html)

LEMO products and services are provided "as is". LEMO makes no warranties or representations with regard to LEMO product & services or use of them, express, implied or statutory, including for accuracy, completeness, or security. The user is fully responsible for his products and applications using LEMO components.