



Summary

[Request a quote](#)

[Catalog](#)

Number of contacts Low Voltage	7
Gender	Standard
Socket / Receptacle	Socket / Receptacle - Fixed Panel Rear Mounted
Locking system	Push-pull
Size	OK
Series	K - Outdoor keyed

https://www.lemo.com/int_en/solutions/originals/k-outdoor-keyed/heb-0k-307-clnp.html

LEMO products and services are provided "as is". LEMO makes no warranties or representations with regard to LEMO product & services or use of them, express, implied or statutory, including for accuracy, completeness, or security. The user is fully responsible for his products and applications using LEMO components.

Technical details

Electrical Configuration

Contact Termination Low voltage	PCB - Straight
R (max)	8.7 mOhm
Insert configuration value	0K.307 - 7 Low Voltage
Insulator	L: PEEK (UL 94 / V-0/1.5)
Rated current	2.5 A
Vtest (contact-contact)	800 V (AC), 1130 V (DC)
Vtest (contact-shell)	700 V (AC), 990 V (DC)
Contact Type	Print (straight)
Contact Dia.	0.5 mm (0.02in)
Number of contacts Low Voltage	7
Gender	Standard

Form & Material

Shell style / Model id	HE - Fixed receptacle, nut fixing, watertight or vacuum-tight (back panel mounting)
Socket / Receptacle	Fixed Panel Rear Mounted
Housing material	Brass (chrome plated [SAE AMS 2460]) shell, collet nut and latch sleeve, nickel plated [SAE AMS QQ N 290] brass mid pieces
Locking system	Push-pull
Keying	2 keys (alpha=45, plug: male contacts, receptacle: female contacts)
Variant	Watertight unmated (connector to device)
Weight	12.96 g

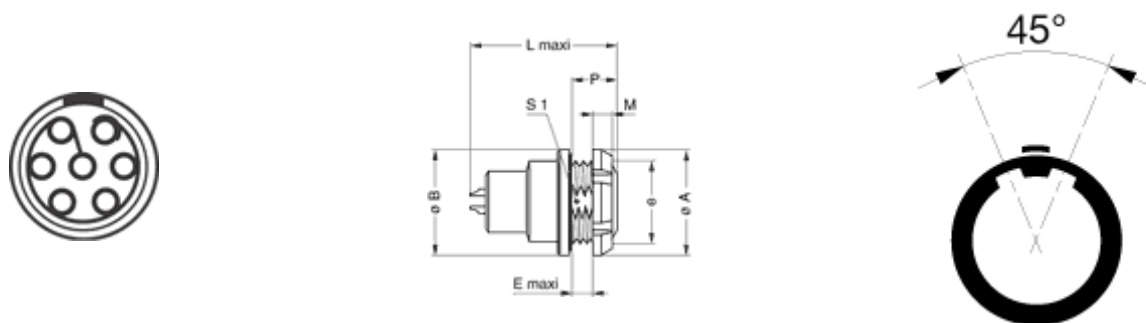
https://www.lemo.com/int_en/solutions/originals/k-outdoor-keyed/heb-0k-307-clnp.html

LEMO products and services are provided "as is". LEMO makes no warranties or representations with regard to LEMO product & services or use of them, express, implied or statutory, including for accuracy, completeness, or security. The user is fully responsible for his products and applications using LEMO components.

Environment

Technical domain	Audio Video, Energy and Industrial, Medical, Test and Measurement
Environmental sealing (IP rating)	IP68
Endurance	5000 mating cycles
Temperature range	-20°C / +100°C
Climatical Category	20/80/21
Humidity (max)	<=95% [at 60 deg C /140 F]
Shielding (min)	95 dB (10 MHz)
Shielding (min)	80 dB (1 GHz)
Shock Resistance	100 g [6 ms]
Vibration	15 g [10 Hz - 2000 Hz]
Pressure	60 bars
Salt Spray Corrosion	>1000 hr

Drawings



Dimensions

	A	B	L	M	P	S1	e	E
mm.	18	18	22.5	3.5	7	12.5	M14x1.0	2.4
in.	0.71	0.71	0.89	0.14	0.28	0.49		0.09

https://www.lemo.com/int_en/solutions/originals/k-outdoor-keyed/heb-0k-307-clnp.html

LEMO products and services are provided "as is". LEMO makes no warranties or representations with regard to LEMO product & services or use of them, express, implied or statutory, including for accuracy, completeness, or security. The user is fully responsible for his products and applications using LEMO components.