



*Image for illustrative purpose only*

## Summary

[Request a quote](#)

[Catalog](#)

Number of contacts Low Voltage	40
Wire Size/AWG	28 - 20
Gender	Reverse Gender
Plug	Plug - Straight
Locking system	Push-pull
Jacket cable outside diameter [mm]	10.60 - 11.50 mm
Size	5N
Series	N - Nuclear Stainless Steel

[https://www.lemo.com/int\\_en/solutions/supreme/n-nuclear-stainless-steel/fzg-5n-340-tlly11.html](https://www.lemo.com/int_en/solutions/supreme/n-nuclear-stainless-steel/fzg-5n-340-tlly11.html)

LEMO products and services are provided "as is". LEMO makes no warranties or representations with regard to LEMO product & services or use of them, express, implied or statutory, including for accuracy, completeness, or security. The user is fully responsible for his products and applications using LEMO components.

# Technical details

## Electrical Configuration

Contact Termination Low voltage	Solder
R (max)	3.6 mOhm
Insert configuration value	5N.340 - 40 Low Voltage
Insulator	L: PEEK (UL 94 / V-0/1.5)
Rated current	7 A
Contact Type	Solder
Max. Solid Conductor	0.5 mm <sup>2</sup> (AWG 20)
Max. Stranded Conductor	0.5 mm <sup>2</sup> (AWG 20)
Bucket Dia.	1 mm (0.039in)
Contact Dia.	1.3 mm (0.051in)
Number of contacts Low Voltage	40
Wire Size/AWG	28 - 20
Gender	Reverse Gender

## Form & Material

Shell style / Model id	FZG - Straight plug with positioning pin, cable clamp and smooth handling surface
Plug	Straight
Housing material	Stainless steel shell, collet nut and latch sleeve, nickel plated [SAE AMS QQ N 290] brass mid pieces
Locking system	Push-pull
Keying	Push-Pull latch for manipulator. Female contacts
Colour	Grey
Weight	963.54 g

## Environment

Technical domain	Energy and Industrial, Specialties and Other
Environmental sealing (IP rating)	IP66

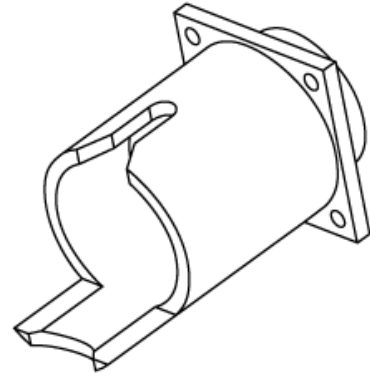
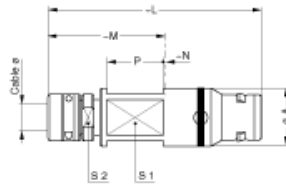
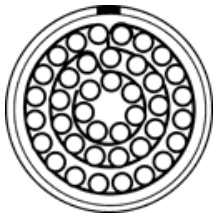
[https://www.lemo.com/int\\_en/solutions/supreme/n-nuclear-stainless-steel/fzg-5n-340-tlly11.html](https://www.lemo.com/int_en/solutions/supreme/n-nuclear-stainless-steel/fzg-5n-340-tlly11.html)

LEMO products and services are provided "as is". LEMO makes no warranties or representations with regard to LEMO product & services or use of them, express, implied or statutory, including for accuracy, completeness, or security. The user is fully responsible for his products and applications using LEMO components.

## Cable fixation

Cable termination protection	Standard back nut (no additional protection)
Fixation type	Cable collet
Jacket cable outside diameter [mm]	10.60 - 11.50 mm

## Drawings



## Dimensions

	<b>A</b>	<b>L</b>	<b>M</b>	<b>N</b>	<b>P</b>	<b>S1</b>	<b>S2</b>
mm.	45	155	90	1	50	39	40
in.	1.77	6.1	3.54	0.04	1.97	1.54	1.57

[https://www.lemo.com/int\\_en/solutions/supreme/n-nuclear-stainless-steel/fzg-5n-340-tily11.html](https://www.lemo.com/int_en/solutions/supreme/n-nuclear-stainless-steel/fzg-5n-340-tily11.html)

LEMO products and services are provided "as is". LEMO makes no warranties or representations with regard to LEMO product & services or use of them, express, implied or statutory, including for accuracy, completeness, or security. The user is fully responsible for his products and applications using LEMO components.