



Image for illustrative purpose only

## Summary

[Request a quote](#)

[Catalog](#)

Number of contacts Low Voltage	4
Gender	Standard
Plug	Plug - Straight
Locking system	Push-pull
Jacket cable outside diameter [mm]	11.10 - 12.00 mm
Size	3N
Suggested matching part	<a href="#">EDG.3N.304.TLL</a>
Series	N - Nuclear Stainless Steel

[https://www.lemo.com/int\\_en/solutions/supreme/n-nuclear-stainless-steel/fzg-3n-304-tlay12.html](https://www.lemo.com/int_en/solutions/supreme/n-nuclear-stainless-steel/fzg-3n-304-tlay12.html)

LEMO products and services are provided "as is". LEMO makes no warranties or representations with regard to LEMO product & services or use of them, express, implied or statutory, including for accuracy, completeness, or security. The user is fully responsible for his products and applications using LEMO components.

# Technical details

## Electrical Configuration

Contact Termination Low voltage	Solder
Insert configuration value	3N.304 - 4 Low Voltage
Insulator	L: PEEK (UL 94 / V-0/1.5)
Rated current	19 A
Contact Type	Solder
Number of contacts Low Voltage	4
Gender	Standard

## Form & Material

Shell style / Model id	FZG - Straight plug with positioning pin, cable clamp and smooth handling surface
Plug	Straight
Housing material	Stainless steel shell, collet nut and latch sleeve, nickel plated [SAE AMS QQ N 290] brass mid pieces
Locking system	Push-pull
Keying	Push-Pull latch for manipulator. Male contacts
Colour	Grey
Weight	201.66 g

## Environment

Technical domain	Energy and Industrial, Specialties and Other
Environmental sealing (IP rating)	IP66

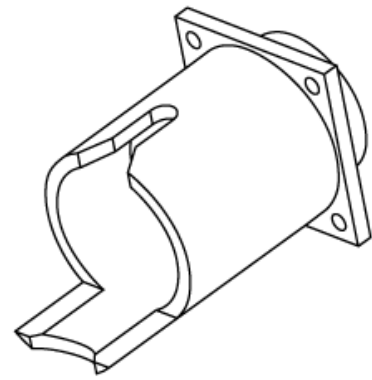
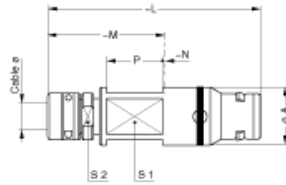
## Cable fixation

Cable termination protection	Standard back nut (no additional protection)
Fixation type	Cable collet
Jacket cable outside diameter [mm]	11.10 - 12.00 mm

# Drawings

[https://www.lemo.com/int\\_en/solutions/supreme/n-nuclear-stainless-steel/fzg-3n-304-tlay12.html](https://www.lemo.com/int_en/solutions/supreme/n-nuclear-stainless-steel/fzg-3n-304-tlay12.html)

LEMO products and services are provided "as is". LEMO makes no warranties or representations with regard to LEMO product & services or use of them, express, implied or statutory, including for accuracy, completeness, or security. The user is fully responsible for his products and applications using LEMO components.



## Dimensions

	<b>A</b>	<b>L</b>	<b>M</b>	<b>N</b>	<b>P</b>	<b>S1</b>	<b>S2</b>
mm.	25	103	55	1	25	21	20
in.	0.98	4.06	2.17	0.04	0.98	0.83	0.79

[https://www.lemo.com/int\\_en/solutions/supreme/n-nuclear-stainless-steel/fzg-3n-304-tlay12.html](https://www.lemo.com/int_en/solutions/supreme/n-nuclear-stainless-steel/fzg-3n-304-tlay12.html)

LEMO products and services are provided "as is". LEMO makes no warranties or representations with regard to LEMO product & services or use of them, express, implied or statutory, including for accuracy, completeness, or security. The user is fully responsible for his products and applications using LEMO components.