



Summary

[Request a quote](#)

[Catalog](#)

Thermocouple	2
Wire Size/AWG	28 - 20
Gender	Standard
Plug	Plug - Straight
Locking system	Threaded
Jacket cable outside diameter [mm]	6.10 - 6.50 mm
Size	1W
Series	W - Underwater

Technical details

Electrical Configuration

Thermocouple	2
Insert configuration value	1W.302 - 2 Low Voltage
Rated current	15 Amps
ThC. Materials (P+/N-)	Copper / Constantan
Contact Dia.	1.3
Wire Size/AWG	28 - 20
Gender	Standard

https://www.lemo.com/int_en/solutions/supreme/w-underwater/fvg-1w-302-cltc65.html

LEMO products and services are provided "as is". LEMO makes no warranties or representations with regard to LEMO product & services or use of them, express, implied or statutory, including for accuracy, completeness, or security. The user is fully responsible for his products and applications using LEMO components.

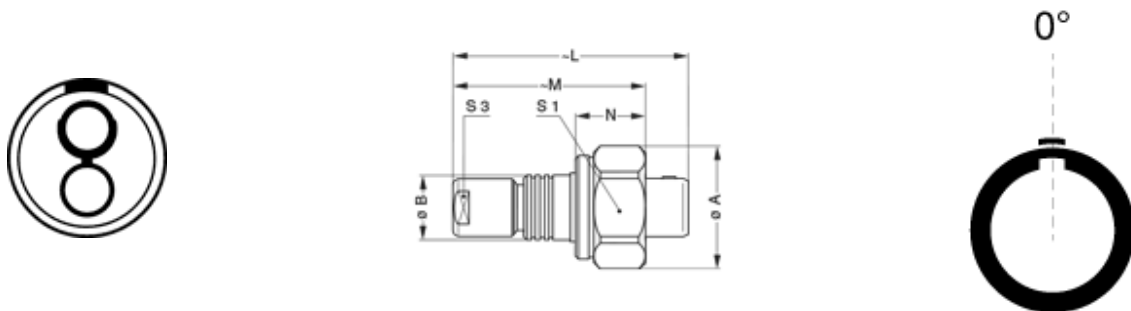
Form & Material

Shell style / Model id	FV - Straight plug, cable collet
Plug	Straight
Housing material	Brass (chrome plated [SAE AMS 2460]) shell and collet nut, nickel plated [SAE AMS QQ N 290] brass latch sleeve and mid pieces
Locking system	Threaded
Keying	1 key (alpha=0, Plug: male contacts, Receptacle: female contacts)
Weight	29.98 g

Cable fixation

Cable termination protection	Standard back nut (no additional protection)
Fixation type	Cable collet
Jacket cable outside diameter [mm]	6.10 - 6.50 mm

Drawings



Dimensions

	A	B	L	M	N	S1	S3
mm.	19.3	11.0	43.7	35.5	14.0	18	9
in.	0.76	0.43	1.72	1.4	0.55	0.71	0.35

https://www.lemo.com/int_en/solutions/supreme/w-underwater/fvg-1w-302-cltc65.html

LEMO products and services are provided "as is". LEMO makes no warranties or representations with regard to LEMO product & services or use of them, express, implied or statutory, including for accuracy, completeness, or security. The user is fully responsible for his products and applications using LEMO components.