



Image for illustrative purpose only

## Summary

[Request a quote](#)

[Catalog](#)

Number of contacts Low Voltage	2
Wire Size/AWG	34 - 28
Plug	Plug - Straight
Locking system	Threaded
Size	3
Suggested matching part	<a href="#">HRG.03.302.CLLPV</a>

[https://www.lemo.com/int\\_en/fvg-03-302-clae44.html](https://www.lemo.com/int_en/fvg-03-302-clae44.html)

LEMO products and services are provided "as is". LEMO makes no warranties or representations with regard to LEMO product & services or use of them, express, implied or statutory, including for accuracy, completeness, or security. The user is fully responsible for his products and applications using LEMO components.

# Technical details

## Electrical Configuration

Contact Termination Low voltage	Solder
R (max)	8.7 mOhm
Insert configuration value	3.302 - 2 Low Voltage
Rated current	5 A
Contact Type	Solder
Max. Solid Conductor	0.09 mm <sup>2</sup> (AWG 28)
Max. Stranded Conductor	0.05 mm <sup>2</sup> (AWG 30)
Bucket Dia.	0.4 mm (0.016in)
Contact Dia.	0.5 mm (0.02in)
Number of contacts Low Voltage	2
Wire Size/AWG	34 - 28

## Form & Material

Shell style / Model id	FVG - Straight plug for cable crimping
Plug	Straight
Housing material	Brass (chrome plated [SAE AMS 2460]) shell and collet nut, nickel plated [SAE AMS QQ N 290] brass latch sleeve and mid pieces
Locking system	Threaded
Keying	G: 1 key (alpha=0, Plug: male contacts, Receptacle: female contacts)
Weight	7.9 g

## Environment

Environmental sealing (IP rating)	IP68
Temperature range	-20°C / +200°C
Climatical Category	20/200/21
Humidity (max)	<=95% [at 60 deg C /140 F]
Shielding (min)	100 dB (10 MHz)
Shielding (min)	80 dB (1 GHz)
Pressure	60 bars (120 bars with LEMO cable assembly)
Salt Spray Corrosion	>1000 hr

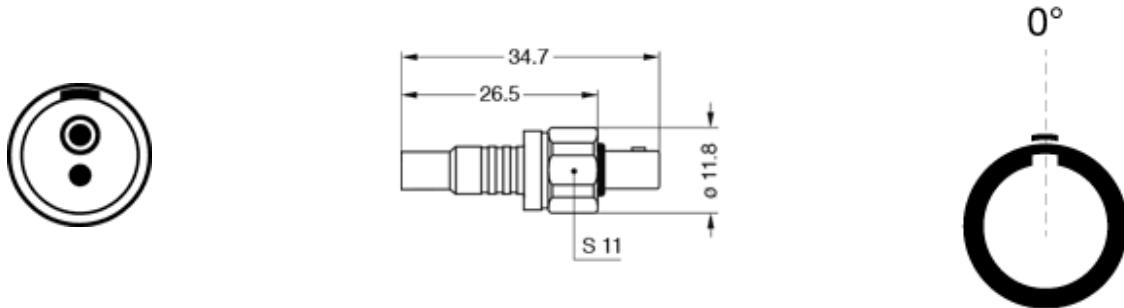
[https://www.lemo.com/int\\_en/fvg-03-302-clae44.html](https://www.lemo.com/int_en/fvg-03-302-clae44.html)

LEMO products and services are provided "as is". LEMO makes no warranties or representations with regard to LEMO product & services or use of them, express, implied or statutory, including for accuracy, completeness, or security. The user is fully responsible for his products and applications using LEMO components.

## Cable fixation

Cable termination protection	Standard back nut (no additional protection)
Fixation type	Crimp

## Drawings



## Dimensions

	<b>A</b>	<b>L</b>	<b>M</b>	<b>S1</b>
mm.	11.8	34.7	26.5	11
in.	0.46	1.37	1.04	0.43

[https://www.lemo.com/int\\_en/fvg-03-302-clae44.html](https://www.lemo.com/int_en/fvg-03-302-clae44.html)

LEMO products and services are provided "as is". LEMO makes no warranties or representations with regard to LEMO product & services or use of them, express, implied or statutory, including for accuracy, completeness, or security. The user is fully responsible for his products and applications using LEMO components.