



## Summary

[Request a quote](#)

[Catalog](#)

Number of contacts Low Voltage	3
Wire Size/AWG	34 - 28
Plug	Plug - Straight
Locking system	Push-pull
Size	00
Suggested matching part	<a href="#">XRB.00.303.NLN</a>
Series	B - Indoor keyed

[https://www.lemo.com/int\\_en/solutions/originals/b-indoor-keyed/fvb-00-303-nlae24.html](https://www.lemo.com/int_en/solutions/originals/b-indoor-keyed/fvb-00-303-nlae24.html)

LEMO products and services are provided "as is". LEMO makes no warranties or representations with regard to LEMO product & services or use of them, express, implied or statutory, including for accuracy, completeness, or security. The user is fully responsible for his products and applications using LEMO components.

# Technical details

## Electrical Configuration

Contact Termination Low voltage	Solder
R (max)	8.7 mOhm
Insert configuration value	0.303 - 3 Low Voltage
Insulator	L: PEEK (UL 94 / V-0/1.5)
Rated current	3 A
Vtest (contact-contact)	800 V (AC), 1100 V (DC)
Vtest (contact-shell)	950 V (AC), 1300 V (DC)
Contact Type	Solder
Max. Solid Conductor	0.09 mm <sup>2</sup> (AWG 28)
Max. Stranded Conductor	0.05 mm <sup>2</sup> (AWG 30)
Bucket Dia.	0.4 mm (0.016in)
Contact Dia.	0.5 mm (0.02in)
Number of contacts Low Voltage	3
Wire Size/AWG	34 - 28

## Form & Material

Shell style / Model id	FVB - Straight plug for special cable crimping
Plug	Straight
Housing material	Brass (nickel plated [SAE AMS QQ N 290]) shell, collet nut, latch sleeve and mid pieces
Locking system	Push-pull
Keying	2 keys (alpha=60, plug: male contacts, receptacle: female contacts)
Colour	Gray
Weight	3.95 g

[https://www.lemo.com/int\\_en/solutions/originals/b-indoor-keyed/fvb-00-303-nlae24.html](https://www.lemo.com/int_en/solutions/originals/b-indoor-keyed/fvb-00-303-nlae24.html)

LEMO products and services are provided "as is". LEMO makes no warranties or representations with regard to LEMO product & services or use of them, express, implied or statutory, including for accuracy, completeness, or security. The user is fully responsible for his products and applications using LEMO components.

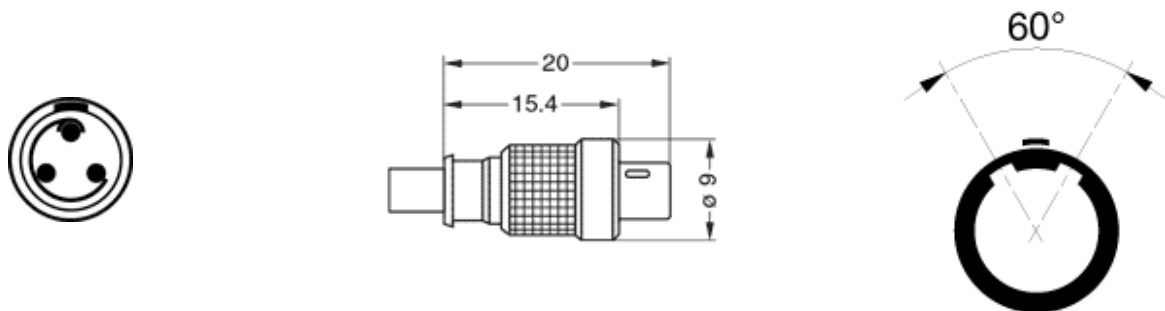
## Environment

Environmental sealing (IP rating)	IP50
Climatical Category	50/175/21
Humidity (max)	<=95% [at 60 deg C /140 F]
Shielding (min)	75 dB (10 MHz)
Shielding (min)	40 dB (1 GHz)
Shock Resistance	100 g [ 6 ms]
Vibration	15 g [10 Hz - 2000 Hz]
Salt Spray Corrosion	>144 hr

## Cable fixation

Cable termination protection	Standard back nut (no additional protection)
Fixation type	Crimp

## Drawings



## Dimensions

	A	L	M
mm.	9	20	15.4
in.	0.35	0.79	0.61

[https://www.lemo.com/int\\_en/solutions/originals/b-indoor-keyed/fvb-00-303-nlae24.html](https://www.lemo.com/int_en/solutions/originals/b-indoor-keyed/fvb-00-303-nlae24.html)

LEMO products and services are provided "as is". LEMO makes no warranties or representations with regard to LEMO product & services or use of them, express, implied or statutory, including for accuracy, completeness, or security. The user is fully responsible for his products and applications using LEMO components.