



Image for illustrative purpose only

Summary

[Request a quote](#)

[Catalog](#)

| | |
|------------------------------------|-----------------------------|
| Number of contacts Low Voltage | 40 |
| Wire Size/AWG | 28 - 20 |
| Gender | Standard |
| Plug | Plug - Elbow |
| Locking system | Push-pull |
| Jacket cable outside diameter [mm] | 20.60 - 21.50 mm |
| Size | 5N |
| Series | N - Nuclear Stainless Steel |

https://www.lemo.com/int_en/solutions/supreme/n-nuclear-stainless-steel/fmg-5n-340-tlay21.html

LEMO products and services are provided "as is". LEMO makes no warranties or representations with regard to LEMO product & services or use of them, express, implied or statutory, including for accuracy, completeness, or security. The user is fully responsible for his products and applications using LEMO components.

Technical details

Electrical Configuration

| | |
|---------------------------------|------------------------------|
| Contact Termination Low voltage | Solder |
| R (max) | 3.6 mOhm |
| Insert configuration value | 5N.340 - 40 Low Voltage |
| Insulator | L: PEEK (UL 94 / V-0/1.5) |
| Rated current | 7 A |
| Contact Type | Solder |
| Max. Solid Conductor | 0.5 mm ² (AWG 20) |
| Max. Stranded Conductor | 0.5 mm ² (AWG 20) |
| Bucket Dia. | 1 mm (0.039in) |
| Contact Dia. | 1.3 mm (0.051in) |
| Number of contacts Low Voltage | 40 |
| Wire Size/AWG | 28 - 20 |
| Gender | Standard |

Form & Material

| | |
|------------------------|---|
| Shell style / Model id | FMG - Elbow plug (120°) with positioning pin, cable clamp and rough handling surface |
| Plug | Elbow |
| Housing material | Stainless steel shell, collet nut and latch sleeve, nickel plated [SAE AMS QQ N 290] brass mid pieces |
| Locking system | Push-pull |
| Keying | Push-Pull latch for manipulator. Male contacts |
| Colour | Grey |
| Weight | 1351.92 g |

Environment

| | |
|-----------------------------------|--|
| Technical domain | Energy and Industrial, Specialties and Other |
| Environmental sealing (IP rating) | IP66 |

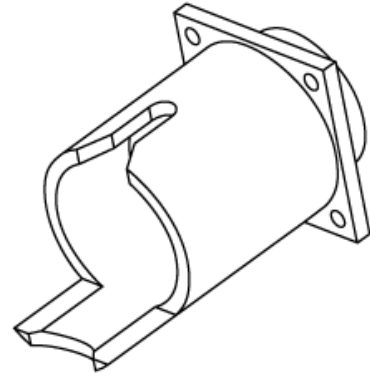
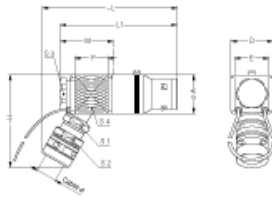
https://www.lemo.com/int_en/solutions/supreme/n-nuclear-stainless-steel/fmg-5n-340-tlay21.html

LEMO products and services are provided "as is". LEMO makes no warranties or representations with regard to LEMO product & services or use of them, express, implied or statutory, including for accuracy, completeness, or security. The user is fully responsible for his products and applications using LEMO components.

Cable fixation

| | |
|------------------------------------|--|
| Cable termination protection | Standard back nut (no additional protection) |
| Fixation type | Cable collet |
| Jacket cable outside diameter [mm] | 20.60 - 21.50 mm |

Drawings



Dimensions

| | A | D | E | H | L | L1 | M | P | S1 | S2 | S3 | S4 |
|-----|----------|----------|----------|----------|----------|-----------|----------|----------|-----------|-----------|-----------|-----------|
| mm. | 45 | 48 | 42 | 116.9 | 154.5 | 129.6 | 66.3 | 23 | 36 | 40 | 38 | 42 |
| in. | 1.77 | 1.89 | 1.65 | 4.6 | 6.08 | 5.1 | 2.61 | 0.91 | 1.42 | 1.57 | 1.5 | 1.65 |

https://www.lemo.com/int_en/solutions/supreme/n-nuclear-stainless-steel/fmg-5n-340-tlay21.html

LEMO products and services are provided "as is". LEMO makes no warranties or representations with regard to LEMO product & services or use of them, express, implied or statutory, including for accuracy, completeness, or security. The user is fully responsible for his products and applications using LEMO components.