



Image for illustrative purpose only

## Summary

[Request a quote](#)

[Catalog](#)

Number of contacts Low Voltage	20
Wire Size/AWG	24 - 16
Gender	Standard
Plug	Plug - Elbow
Locking system	Push-pull
Jacket cable outside diameter [mm]	20.60 - 21.50 mm
Size	5N
Series	N - Nuclear Stainless Steel

[https://www.lemo.com/int\\_en/solutions/supreme/n-nuclear-stainless-steel/fmg-5n-320-tlay21.html](https://www.lemo.com/int_en/solutions/supreme/n-nuclear-stainless-steel/fmg-5n-320-tlay21.html)

LEMO products and services are provided "as is". LEMO makes no warranties or representations with regard to LEMO product & services or use of them, express, implied or statutory, including for accuracy, completeness, or security. The user is fully responsible for his products and applications using LEMO components.

# Technical details

## Electrical Configuration

Contact Termination Low voltage	Solder
R (max)	3.5 mOhm
Insert configuration value	5N.320 - 20 Low Voltage
Insulator	L: PEEK (UL 94 / V-0/1.5)
Rated current	10 A
Contact Type	Solder
Max. Solid Conductor	1 mm <sup>2</sup> (AWG 16)
Max. Stranded Conductor	1 mm <sup>2</sup> (AWG 18)
Bucket Dia.	1.4 mm (0.055in)
Contact Dia.	1.6 mm (0.063in)
Number of contacts Low Voltage	20
Wire Size/AWG	24 - 16
Gender	Standard

## Form & Material

Shell style / Model id	FMG - Elbow plug (120°) with positioning pin, cable clamp and rough handling surface
Plug	Elbow
Housing material	Stainless steel shell, collet nut and latch sleeve, nickel plated [SAE AMS QQ N 290] brass mid pieces
Locking system	Push-pull
Keying	Push-Pull latch for manipulator. Male contacts
Colour	Grey
Weight	1346.55 g

## Environment

Technical domain	Energy and Industrial, Specialties and Other
Environmental sealing (IP rating)	IP66

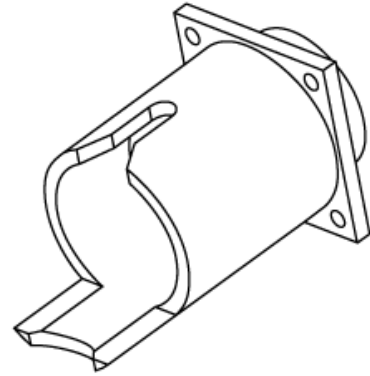
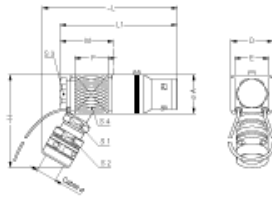
[https://www.lemo.com/int\\_en/solutions/supreme/n-nuclear-stainless-steel/fmg-5n-320-tlay21.html](https://www.lemo.com/int_en/solutions/supreme/n-nuclear-stainless-steel/fmg-5n-320-tlay21.html)

LEMO products and services are provided "as is". LEMO makes no warranties or representations with regard to LEMO product & services or use of them, express, implied or statutory, including for accuracy, completeness, or security. The user is fully responsible for his products and applications using LEMO components.

## Cable fixation

Cable termination protection	Standard back nut (no additional protection)
Fixation type	Cable collet
Jacket cable outside diameter [mm]	20.60 - 21.50 mm

## Drawings



## Dimensions

	<b>A</b>	<b>D</b>	<b>E</b>	<b>H</b>	<b>L</b>	<b>L1</b>	<b>M</b>	<b>P</b>	<b>S1</b>	<b>S2</b>	<b>S3</b>	<b>S4</b>
mm.	45	48	42	116.9	154.5	129.6	66.3	23	36	40	38	42
in.	1.77	1.89	1.65	4.6	6.08	5.1	2.61	0.91	1.42	1.57	1.5	1.65

[https://www.lemo.com/int\\_en/solutions/supreme/n-nuclear-stainless-steel/fmg-5n-320-tlay21.html](https://www.lemo.com/int_en/solutions/supreme/n-nuclear-stainless-steel/fmg-5n-320-tlay21.html)

LEMO products and services are provided "as is". LEMO makes no warranties or representations with regard to LEMO product & services or use of them, express, implied or statutory, including for accuracy, completeness, or security. The user is fully responsible for his products and applications using LEMO components.