



Image for illustrative purpose only

## Summary

[Request a quote](#)

[Catalog](#)

Number of contacts Low Voltage	7
Wire Size/AWG	22 - 14
Gender	Standard
Plug	Plug - Elbow
Locking system	Push-pull
Jacket cable outside diameter [mm]	10.60 - 11.50 mm
Size	4N
Series	N - Nuclear Stainless Steel

[https://www.lemo.com/int\\_en/solutions/supreme/n-nuclear-stainless-steel/fmg-4n-307-tlay11.html](https://www.lemo.com/int_en/solutions/supreme/n-nuclear-stainless-steel/fmg-4n-307-tlay11.html)

LEMO products and services are provided "as is". LEMO makes no warranties or representations with regard to LEMO product & services or use of them, express, implied or statutory, including for accuracy, completeness, or security. The user is fully responsible for his products and applications using LEMO components.

# Technical details

## Electrical Configuration

Contact Termination Low voltage	Solder
R (max)	3.3 mOhm
Insert configuration value	4N.307 - 7 Low Voltage
Insulator	L: PEEK (UL 94 / V-0/1.5)
Rated current	20 A
Contact Type	Solder
Max. Solid Conductor	1.5 mm <sup>2</sup> (AWG 14)
Max. Stranded Conductor	1.5 mm <sup>2</sup> (AWG 16)
Bucket Dia.	1.8 mm (0.071in)
Contact Dia.	2 mm (0.079in)
Number of contacts Low Voltage	7
Wire Size/AWG	22 - 14
Gender	Standard

## Form & Material

Shell style / Model id	FMG - Elbow plug (120°) with positioning pin, cable clamp and rough handling surface
Plug	Elbow
Housing material	Stainless steel shell, collet nut and latch sleeve, nickel plated [SAE AMS QQ N 290] brass mid pieces
Locking system	Push-pull
Keying	Push-Pull latch for manipulator. Male contacts
Colour	Grey
Weight	484.75 g

## Environment

Technical domain	Energy and Industrial, Specialties and Other
Environmental sealing (IP rating)	IP66

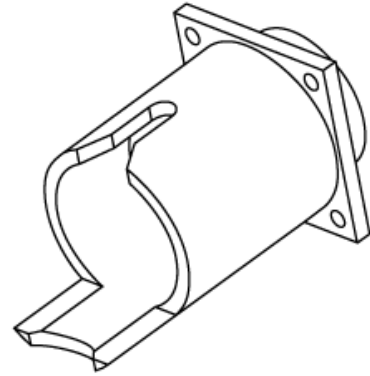
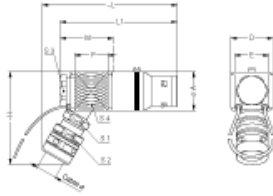
[https://www.lemo.com/int\\_en/solutions/supreme/n-nuclear-stainless-steel/fmg-4n-307-tlay11.html](https://www.lemo.com/int_en/solutions/supreme/n-nuclear-stainless-steel/fmg-4n-307-tlay11.html)

LEMO products and services are provided "as is". LEMO makes no warranties or representations with regard to LEMO product & services or use of them, express, implied or statutory, including for accuracy, completeness, or security. The user is fully responsible for his products and applications using LEMO components.

## Cable fixation

Cable termination protection	Standard back nut (no additional protection)
Fixation type	Cable collet
Jacket cable outside diameter [mm]	10.60 - 11.50 mm

## Drawings



## Dimensions

	<b>A</b>	<b>D</b>	<b>E</b>	<b>H</b>	<b>L</b>	<b>L1</b>	<b>M</b>	<b>P</b>	<b>S1</b>	<b>S2</b>	<b>S3</b>	<b>S4</b>
mm.	31	36	30	76.8	109.2	93	42.5	23	22	25	24	30
in.	1.22	1.42	1.18	3.02	4.3	3.66	1.67	0.91	0.87	0.98	0.94	1.18

[https://www.lemo.com/int\\_en/solutions/supreme/n-nuclear-stainless-steel/fmg-4n-307-tlay11.html](https://www.lemo.com/int_en/solutions/supreme/n-nuclear-stainless-steel/fmg-4n-307-tlay11.html)

LEMO products and services are provided "as is". LEMO makes no warranties or representations with regard to LEMO product & services or use of them, express, implied or statutory, including for accuracy, completeness, or security. The user is fully responsible for his products and applications using LEMO components.