

Summary

[Request a quote](#)

[Catalog](#)

Number of contacts Low Voltage	10
Wire Size/AWG	14 - 10
Gender	Standard
Plug	Plug - Elbow
Locking system	Push-pull
Jacket cable outside diameter [mm]	16.60 - 17.00 mm
Size	5N
Series	N - Nuclear Stainless Steel

Technical details

https://www.lemo.com/int_en/solutions/supreme/n-nuclear-stainless-steel/fhu-5n-310-tycy17.html

LEMO products and services are provided "as is". LEMO makes no warranties or representations with regard to LEMO product & services or use of them, express, implied or statutory, including for accuracy, completeness, or security. The user is fully responsible for his products and applications using LEMO components.

Electrical Configuration

Contact Termination Low voltage	Crimp
R (max)	3.1 mOhm
Insert configuration value	5N.310 - 10 Low Voltage
Insulator	Y: PEEK
Rated current	20 Amps
Contact retention	75 N
Contact Type	Crimp
Max. Conductor	4 mm ² (AWG 10)
Min. Conductor	2.5 mm ² (AWG 14)
Bucket Dia.	2.9 mm (0.114in)
Contact Dia.	3 mm (0.118in)
Number of contacts Low Voltage	10
Wire Size/AWG	14 - 10
Gender	Standard

Form & Material

Shell style / Model id	FHU - Elbow plug (90 degree) for remote handling, with cable clamp.
Plug	Elbow
Housing material	Stainless steel shell, collet nut and latch sleeve, nickel plated [SAE AMS QQ N 290] brass mid pieces
Locking system	Push-pull
Keying	User configurable, up to 32 key positions. Male contacts
Weight	2350 g

Environment

Technical domain	Energy and Industrial, Specialties and Other
Environmental sealing (IP rating)	IP66

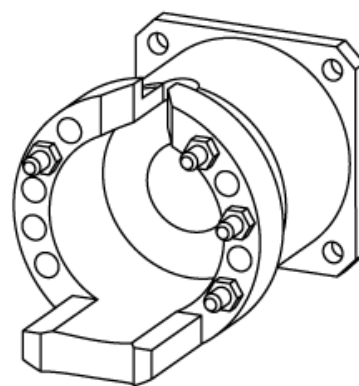
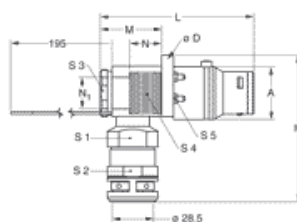
Cable fixation

Cable termination protection	Standard back nut (no additional protection)
Fixation type	Cable collet
Jacket cable outside diameter [mm]	16.60 - 17.00 mm

https://www.lemo.com/int_en/solutions/supreme/n-nuclear-stainless-steel/fhu-5n-310-tycy17.html

LEMO products and services are provided "as is". LEMO makes no warranties or representations with regard to LEMO product & services or use of them, express, implied or statutory, including for accuracy, completeness, or security. The user is fully responsible for his products and applications using LEMO components.

Drawings



Dimensions

	S5	N	N1	S1	S2	S3	S4	A	D	H	L	M
mm.	7	27	27	36	40	38	42	45	66	128	130	52
in.	0.28	1.06	1.06	1.42	1.57	1.5	1.65	1.77	2.6	5.04	5.12	2.05

https://www.lemo.com/int_en/solutions/supreme/n-nuclear-stainless-steel/fhu-5n-310-tycy17.html

LEMO products and services are provided "as is". LEMO makes no warranties or representations with regard to LEMO product & services or use of them, express, implied or statutory, including for accuracy, completeness, or security. The user is fully responsible for his products and applications using LEMO components.