



Image for illustrative purpose only

Summary

[Request a quote](#)

[Catalog](#)

[See video assembly instructions](#)

Number of contacts Low Voltage	48
Wire Size/AWG	30 - 22
Gender	Standard
Plug	Plug - Straight
Locking system	Push-pull
Jacket cable outside diameter [mm]	9.10 - 10.50 mm
Size	4B
Suggested matching part	ENY.4B.348.PLLB
Series	B - Indoor keyed

https://www.lemo.com/int_en/solutions/originals/b-indoor-keyed/fgy-4b-348-plad10y.html

LEMO products and services are provided "as is". LEMO makes no warranties or representations with regard to LEMO product & services or use of them, express, implied or statutory, including for accuracy, completeness, or security. The user is fully responsible for his products and applications using LEMO components.

Technical details

Electrical Configuration

Number of contacts Low Voltage	48
Contact Termination Low voltage	Solder
R (max)	6.1 mOhm
Insert configuration value	4B.348 - 48 Low Voltage
Insulator	L: PEEK (UL 94 / V-0/1.5)
Rated current	1.5 A
Vtest (contact-contact)	1.1 kV (DC)
Vtest (contact-shell)	1.1 kV (DC)
Max. Conductor	0.34 mm ² (AWG 22)
Max. Stranded Conductor	0.34 mm ² (AWG 22)
Bucket Dia.	0.8 mm (0.031in)
Contact Dia.	0.7 mm (0.028in)
Wire Size/AWG	30 - 22
Gender	Standard

Form & Material

Shell style / Model id	FGY - Straight plug, cable collet and PSU or PPSU outer shell
Plug	Straight
Housing material	PSU (Polysulfone) shell and collet nut, nickel plated [SAE AMS QQ N 290] brass latch sleeve and mid pieces
Locking system	Push-pull
Keying	3 keys (beta=112.5, gamma=147.5°, plug: male contacts, receptacle: female contacts)
Variant	Special part (contact LEMO for details)
Weight	79.21 g

https://www.lemo.com/int_en/solutions/originals/b-indoor-keyed/fgy-4b-348-plad10y.html

LEMO products and services are provided "as is". LEMO makes no warranties or representations with regard to LEMO product & services or use of them, express, implied or statutory, including for accuracy, completeness, or security. The user is fully responsible for his products and applications using LEMO components.

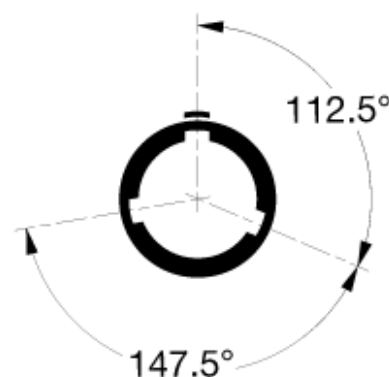
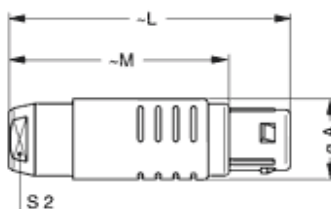
Environment

Technical domain	Audio Video, Energy and Industrial, Medical, Semiconductor, Specialties and Other, Test and Measurement, Transportation, Aerospace and UAV
Environmental sealing (IP rating)	IP50
Endurance	5000 mating cycles
Temperature range	-50°C / +150°C
Climatical Category	50/175/21
Humidity (max)	<=95% [at 60 deg C /140 F]
Shielding (min)	75 dB (10 MHz)
Shielding (min)	40 dB (1 GHz)
Shock Resistance	100 g [6 ms]
Vibration	15 g [10 Hz - 2000 Hz]

Cable fixation

Cable termination protection	Standard back nut (no additional protection)
Fixation type	Cable collet
Jacket cable outside diameter [mm]	9.10 - 10.50 mm

Drawings



Dimensions

	S2	M	L	A
mm.	20	58.2	76.2	26
in.	0.79	2.29	3	1.02

https://www.lemo.com/int_en/solutions/originals/b-indoor-keyed/fgy-4b-348-plad10y.html

LEMO products and services are provided "as is". LEMO makes no warranties or representations with regard to LEMO product & services or use of them, express, implied or statutory, including for accuracy, completeness, or security. The user is fully responsible for his products and applications using LEMO components.