



Summary

[Request a quote](#)

[Catalog](#)

Low Voltage	6
Gender	Standard
Plug	Plug - Straight
Locking system	Ratchet
Jacket cable outside diameter [mm]	6.50 - 13.00 mm
Size	2M
Matching parts	PEN.2M.306.XRMT3
Series	M - Rugged Ratchet coupling

Technical details

Electrical Configuration

Contact Termination Low voltage	Crimp
Insert configuration value	2M.306_3 - 3 (0.7 mm) + 3 (1.3 mm) Low Voltage
Insulator	R: PEEK (mixed multipole)
Contact Type	Crimp
Low Voltage	6
Gender	Standard

https://www.lemo.com/int_en/solutions/optima/m-ratchet-coupling/fgn-2m-306-xrct3.html

LEMO products and services are provided "as is". LEMO makes no warranties or representations with regard to LEMO product & services or use of them, express, implied or statutory, including for accuracy, completeness, or security. The user is fully responsible for his products and applications using LEMO components.

Form & Material

Shell style / Model id	FG - Straight plug with arctic grip and mold stop
Plug	Straight
Housing material	Aluminium (nickel plated [SAE AMS QQ N 290], anthracite color) shell and nut, other pieces bronze/brass
Locking system	Ratchet
Keying	3 keys (beta=165, gamma=30, plug: male contacts, receptacle: female contacts)
Weight	11.31 g

Environment

Technical domain	Motorsport, Security and Defence, Transportation, Aerospace and UAV
Environmental protection (IP rating)	IP68
Minimal temperature	-20°C / +200°C
EMI Shielding EIA 364-66A	>= 80 dB (1 GHz), >=70 dB (3 GHz), >= 58 dB (6 GHz), >= 40 dB (10 GHz)
Gunfire vibration	25 Hz - 2000 Hz, 3 axis (Apache helicopter)
Humidity (max)	21 days at 95%
Lighting strike EIA 364-76	10K amps - 6 times
Shock Resistance	300 g [3 ms]
Thermal shock	5 cycles: -65°C to +150°C
Vibration-Random	37.8 g rms - 3 axes, 4 hr amb [50 Hz - 2000 Hz]
Vibration-Sine	30 g, 3 axes, 12 hr [10 Hz - 2000 Hz]
Salt Spray Corrosion	max. 48 hr

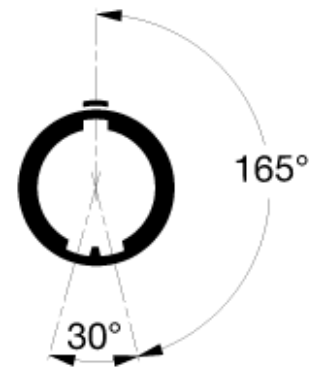
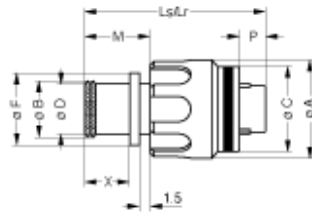
Cable fixation

Cable termination protection	Heatshrink
Fixation type	T type cable adapter
Jacket cable outside diameter [mm]	6.50 - 13.00 mm

Drawings

https://www.lemo.com/int_en/solutions/optima/m-ratchet-coupling/fgn-2m-306-xrct3.html

LEMO products and services are provided "as is". LEMO makes no warranties or representations with regard to LEMO product & services or use of them, express, implied or statutory, including for accuracy, completeness, or security. The user is fully responsible for his products and applications using LEMO components.



Dimensions

	A	B	C	D	F	Ls	Lr	M	P	X
mm.	18.9	14	17.2	13	15.5	27.5	27.5	10.1	3.9	7.1
in.	0.74	0.55	0.68	0.51	0.61	1.08	1.08	0.4	0.15	0.28

https://www.lemo.com/int_en/solutions/optima/m-ratchet-coupling/fgn-2m-306-xrct3.html

LEMO products and services are provided "as is". LEMO makes no warranties or representations with regard to LEMO product & services or use of them, express, implied or statutory, including for accuracy, completeness, or security. The user is fully responsible for his products and applications using LEMO components.