



Image for illustrative purpose only

Summary

[Request a quote](#)

[Catalog](#)

Nb of contacts Fluidic	2
Number of contacts Low Voltage	10
Wire Size/AWG	30 - 22
Gender	Standard
Plug	Plug - Straight
Locking system	Push-pull
Jacket cable outside diameter [mm]	9.90 - 11.00 mm
Size	3B
Suggested matching part	EGG.3B.P25.CLL
Series	B - Indoor keyed

https://www.lemo.com/int_en/solutions/originals/b-indoor-keyed/fgg-3b-p25-clad11.html

LEMO products and services are provided "as is". LEMO makes no warranties or representations with regard to LEMO product & services or use of them, express, implied or statutory, including for accuracy, completeness, or security. The user is fully responsible for his products and applications using LEMO components.

Technical details

Electrical Configuration

Contact Termination Low voltage	Solder
Nb of contacts Fluidic	2
Insert configuration value	3B.P25 - 2 Fluidic with valve P1, 10 Low Voltage
Insulator	L: PEEK (UL 94 / V-0/1.5)
Max pressure	6 bar (87.02 psi)
Test voltage (kV rms) Contact-contact	0.95
Test voltage (kV rms) Contact-shell	0.75
Tube Inner Dia.	1.8 mm (0.070)
Tube Outer Dia.	3.0 mm (0.118 in.)
Contact Type	Fluidic/Pneumatic
Contact Dia.	0.7
Number of contacts Low Voltage	10
Wire Size/AWG	30 - 22
Gender	Standard

Form & Material

Shell style / Model id	FG - Straight plug, cable collet
Plug	Straight
Housing material	Brass (chrome plated [SAE AMS 2460]) shell and collet nut, nickel plated [SAE AMS QQ N 290] brass latch sleeve and mid pieces
Locking system	Push-pull
Keying	G: 1 key (alpha=0, plug: male contacts, receptacle: female contacts)
Colour	Grey
Weight	43.38 g

https://www.lemo.com/int_en/solutions/originals/b-indoor-keyed/fgg-3b-p25-clad11.html

LEMO products and services are provided "as is". LEMO makes no warranties or representations with regard to LEMO product & services or use of them, express, implied or statutory, including for accuracy, completeness, or security. The user is fully responsible for his products and applications using LEMO components.

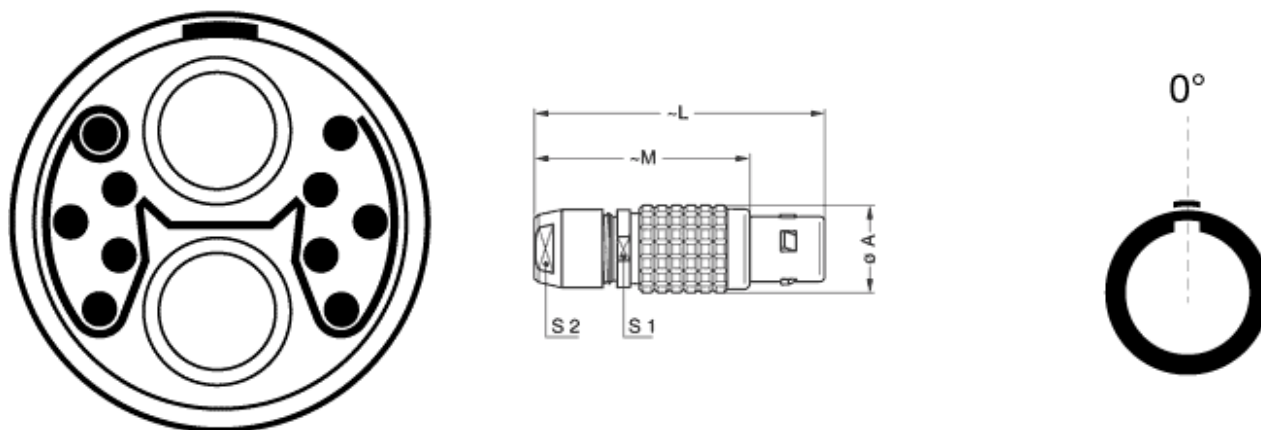
Environment

Technical domain	Audio Video, Energy and Industrial, Medical, Semiconductor, Specialties and Other, Test and Measurement, Transportation, Aerospace and UAV
Environmental sealing (IP rating)	IP50
Endurance	5000 mating cycles
Temperature range	-55°C / +250°C
Climatical Category	50/175/21
Humidity (max)	<=95% [at 60 deg C /140 F]
Shielding (min)	75 dB (10 MHz)
Shielding (min)	40 dB (1 GHz)
Shock Resistance	100 g [6 ms]
Vibration	15 g [10 Hz - 2000 Hz]
Salt Spray Corrosion	>1000 hr

Cable fixation

Cable termination protection	Standard back nut (no additional protection)
Fixation type	Cable collet
Jacket cable outside diameter [mm]	9.90 - 11.00 mm

Drawings



Dimensions

	L	A	M	S2	S1
mm.	58	18	43	14	15
in.	2.28	0.71	1.69	0.55	0.59

https://www.lemo.com/int_en/solutions/originals/b-indoor-keyed/fgg-3b-p25-clad11.html

LEMO products and services are provided "as is". LEMO makes no warranties or representations with regard to LEMO product & services or use of them, express, implied or statutory, including for accuracy, completeness, or security. The user is fully responsible for his products and applications using LEMO components.

Recommended By Lemo

Accessories

Compatible cap	BFG.3B.112.NAS
----------------	--------------------------------

Tools

Spanner	DCP.91.023.TN
---------	-------------------------------

Spanner wrench	DCD.3B.ZZZ.PA140
----------------	----------------------------------

https://www.lemo.com/int_en/solutions/originals/b-indoor-keyed/fgg-3b-p25-clad11.html

LEMO products and services are provided "as is". LEMO makes no warranties or representations with regard to LEMO product & services or use of them, express, implied or statutory, including for accuracy, completeness, or security. The user is fully responsible for his products and applications using LEMO components.