



Image for illustrative purpose only

Summary

[Request a quote](#)

[Catalog](#)

Nb of contacts Fluidic	1
Number of contacts Low Voltage	4
Gender	Standard
Plug	Plug - Straight
Locking system	Push-pull
Jacket cable outside diameter [mm]	5.30 - 6.20 mm
Size	2T
Suggested matching part	EGG.2T.P12.CLL
Series	T - Small Outdoor keyed

https://www.lemo.com/int_en/solutions/originals/t-outdoor-keyed/fgg-2t-p12-clac60.html

LEMO products and services are provided "as is". LEMO makes no warranties or representations with regard to LEMO product & services or use of them, express, implied or statutory, including for accuracy, completeness, or security. The user is fully responsible for his products and applications using LEMO components.

Technical details

Electrical Configuration

Contact Termination Low voltage	Solder
Nb of contacts Fluidic	1
Contact Termination Fluidic	Solder
Insert configuration value	2T.P12 - 1 Fluidic with valve P1, 4 Low Voltage
Insulator	L: PEEK (UL 94 / V-0/1.5)
Contact Type	Solder
Number of contacts Low Voltage	4
Gender	Standard

Form & Material

Shell style / Model id	FG - Straight plug, cable collet
Plug	Straight
Housing material	Brass (chrome plated [SAE AMS 2460]) shell and collet nut, nickel plated [SAE AMS QQ N 290] brass latch sleeve and mid pieces
Locking system	Push-pull
Keying	G: 1 key (alpha=0, plug: male contacts, receptacle: female contacts)
Colour	Grey
Weight	31.34 g

Environment

Technical domain	Energy and Industrial, Test and Measurement
Environmental sealing (IP rating)	IP68
Endurance	>3000 mating cycles
Temperature range	-55°C / +200°C
Climatical Category	50/175/21
Humidity (max)	<=95% [at 60 deg C /140 F]
Resistance to vibration	15 g [10 Hz - 2000 Hz]
Shock Resistance	100 g [6 ms]
Salt Spray Corrosion	>1000 hr

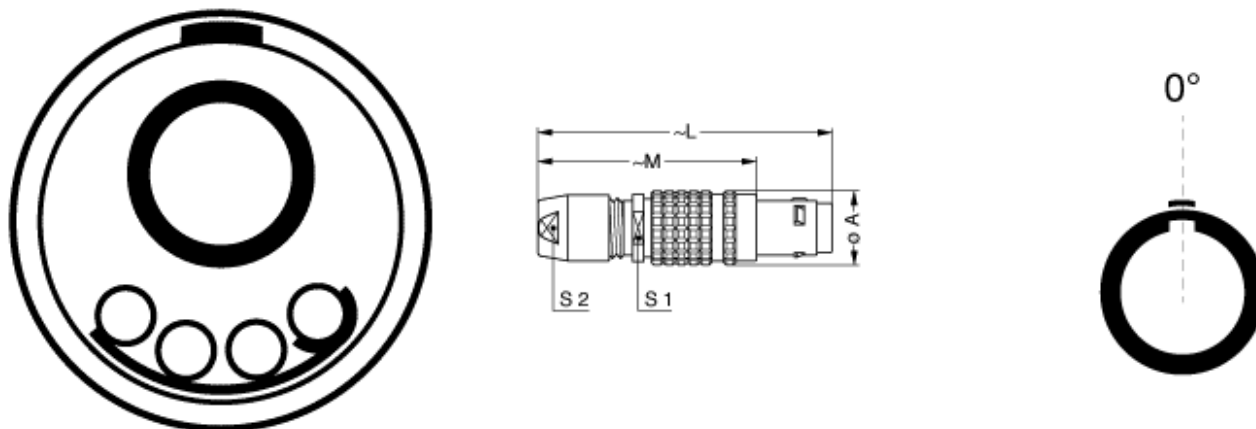
https://www.lemo.com/int_en/solutions/originals/t-outdoor-keyed/fgg-2t-p12-clac60.html

LEMO products and services are provided "as is". LEMO makes no warranties or representations with regard to LEMO product & services or use of them, express, implied or statutory, including for accuracy, completeness, or security. The user is fully responsible for his products and applications using LEMO components.

Cable fixation

Cable termination protection	Standard back nut (no additional protection)
Fixation type	Cable collet
Jacket cable outside diameter [mm]	5.30 - 6.20 mm

Drawings



Dimensions

	A	L	M	S1	S2
mm.	15	55	43	14	12
in.	0.59	2.17	1.69	0.55	0.47

https://www.lemo.com/int_en/solutions/originals/t-outdoor-keyed/fgg-2t-p12-clac60.html

LEMO products and services are provided "as is". LEMO makes no warranties or representations with regard to LEMO product & services or use of them, express, implied or statutory, including for accuracy, completeness, or security. The user is fully responsible for his products and applications using LEMO components.