

Image for illustrative purpose only

Summary

[Request a quote](#)

Number of contacts Low Voltage	8
Number of contacts High Voltage	1
Wire Size/AWG	30 - 22
Gender	Standard
Plug	Plug - Straight
Locking system	Push-pull
Jacket cable outside diameter [mm]	3.10 - 3.50 mm
Size	2K
Suggested matching part	EGG.2K.708.CJL
Series	K - Outdoor keyed

https://www.lemo.com/int_en/solutions/originals/k-outdoor-keyed/fgg-2k-708-cjac35z.html

LEMO products and services are provided "as is". LEMO makes no warranties or representations with regard to LEMO product & services or use of them, express, implied or statutory, including for accuracy, completeness, or security. The user is fully responsible for his products and applications using LEMO components.

Technical details

Electrical Configuration

Contact Termination Low voltage	Solder
Contact Termination High voltage	Solder
Insert configuration value	2K.708 - 1 High V. 8 Low V.
Insulator	J: PEEK/PEEK
Rated current	3 A
Rated current HV (A)	4
Rated current LV (A)	10
Test voltage HV Ue (kV dc)	9.0
Test voltage HV Ue (kV rms)	6.4
Test voltage LV cont-cont sold.(kV rms)	1.5
Test voltage LV cont-shell sold.(kV rms)	1.25
Contact Type	Solder
Contact Dia.	0.9
Number of contacts Low Voltage	8
Number of contacts High Voltage	1
Wire Size/AWG	30 - 22
Gender	Standard

Form & Material

Shell style / Model id	FG - Straight plug, cable collet and nut for fitting a bend relief
Plug	Straight
Housing material	Brass (chrome plated [SAE AMS 2460]) shell, collet nut and latch sleeve, nickel plated [SAE AMS QQ N 290] brass mid pieces
Locking system	Push-pull
Keying	G: 1 key (alpha=0, plug: male contacts, receptacle: female contacts)
Colour	Grey
Variant	Nut for fitting a bend relief
Weight	41.62 g

https://www.lemo.com/int_en/solutions/originals/k-outdoor-keyed/fgg-2k-708-cjac35z.html

LEMO products and services are provided "as is". LEMO makes no warranties or representations with regard to LEMO product & services or use of them, express, implied or statutory, including for accuracy, completeness, or security. The user is fully responsible for his products and applications using LEMO components.

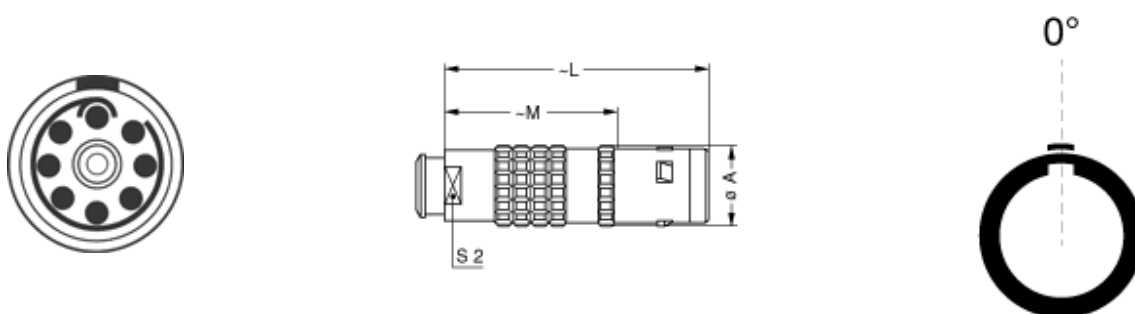
Environment

Technical domain	Audio Video, Energy and Industrial, Medical, Test and Measurement
Environmental sealing (IP rating)	IP68
Endurance	5000 mating cycles
Temperature range	-55°C / +200°C
Climatical Category	50/175/21
Humidity (max)	<=95% [at 60 deg C /140 F]
Shielding (min)	95 dB (10 MHz)
Shielding (min)	80 dB (1 GHz)
Shock Resistance	100 g [6 ms]
Vibration	15 g [10 Hz - 2000 Hz]
Salt Spray Corrosion	>1000 hr

Cable fixation

Cable termination protection	For cable bend relief
Fixation type	Cable collet
Jacket cable outside diameter [mm]	3.10 - 3.50 mm

Drawings



Dimensions

	M	A	S2	L
mm.	36	16	12	52
in.	1.42	0.63	0.47	2.05

https://www.lemo.com/int_en/solutions/originals/k-outdoor-keyed/fgg-2k-708-cjac35z.html

LEMO products and services are provided "as is". LEMO makes no warranties or representations with regard to LEMO product & services or use of them, express, implied or statutory, including for accuracy, completeness, or security. The user is fully responsible for his products and applications using LEMO components.

Recommended By Lemo

Accessories

Compatible cap

[BFG.2K.100.NAS](#)

https://www.lemo.com/int_en/solutions/originals/k-outdoor-keyed/fgg-2k-708-cjac35z.html

LEMO products and services are provided "as is". LEMO makes no warranties or representations with regard to LEMO product & services or use of them, express, implied or statutory, including for accuracy, completeness, or security. The user is fully responsible for his products and applications using LEMO components.