

Summary

[Request a quote](#)

[Catalog](#)

Thermocouple	8
Wire Size/AWG	30 - 22
Gender	Standard
Plug	Plug - Straight
Locking system	Push-pull
Jacket cable outside diameter [mm]	9.30 - 9.90 mm
Size	2B
Matching parts	EGG.2B.308.CLL
Series	B - Indoor keyed

Technical details

https://www.lemo.com/int_en/solutions/originals/b-indoor-keyed/fgg-2b-308-cytd99.html

LEMO products and services are provided "as is". LEMO makes no warranties or representations with regard to LEMO product & services or use of them, express, implied or statutory, including for accuracy, completeness, or security. The user is fully responsible for his products and applications using LEMO components.

Electrical Configuration

Thermocouple	8
Contact Termination Thermocouple	Crimp
Insert configuration value	2B.308 - 4 Thermocouple Pairs
Insulator	Y: PEEK for crimp contacts
Rated current	10 Amps
ThC. Materials (P+/N-)	Copper / Constantan
Contact Dia.	0.9
Wire Size/AWG	30 - 22
Gender	Standard

Form & Material

Shell style / Model id	FG - Straight plug, cable collet
Plug	Straight
Housing material	Brass (chrome plated [SAE AMS 2460]) shell and collet nut, nickel plated [SAE AMS QQ N 290] brass latch sleeve and mid pieces
Locking system	Push-pull
Keying	1 key (alpha=0, plug: male contacts, receptacle: female contacts)
Weight	32.57 g

Environment

Technical domain	Audio Video, Energy and Industrial, Medical, Semiconductor, Specialties and Other, Test and Measurement, Transportation, Aerospace and UAV
Environmental sealing (IP rating)	IP50
Endurance	5000 mating cycles
Temperature range	-55°C / +250°C
Climatical Category	50/175/21
Humidity (max)	<=95% [at 60 deg C /140 F]
Shielding (min)	75 dB (10 MHz)
Shielding (min)	40 dB (1 GHz)
Shock Resistance	100 g [6 ms]
Vibration	15 g [10 Hz - 2000 Hz]
Salt Spray Corrosion	>1000 hr

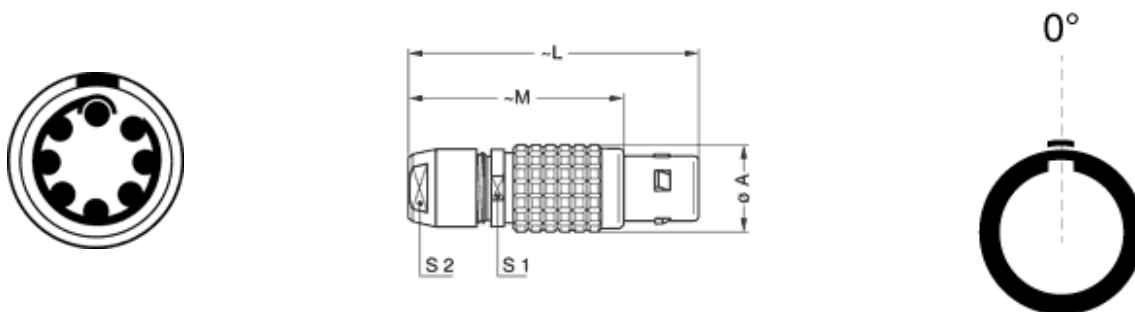
https://www.lemo.com/int_en/solutions/originals/b-indoor-keyed/fgg-2b-308-cytd99.html

LEMO products and services are provided "as is". LEMO makes no warranties or representations with regard to LEMO product & services or use of them, express, implied or statutory, including for accuracy, completeness, or security. The user is fully responsible for his products and applications using LEMO components.

Cable fixation

Cable termination protection	Standard back nut (no additional protection)
Fixation type	Cable collet
Jacket cable outside diameter [mm]	9.30 - 9.90 mm

Drawings



Dimensions

	A	L	M	S1	S2
mm.	15	50	38	13	12
in.	0.59	1.97	1.5	0.51	0.47

https://www.lemo.com/int_en/solutions/originals/b-indoor-keyed/fgg-2b-308-cytd99.html

LEMO products and services are provided "as is". LEMO makes no warranties or representations with regard to LEMO product & services or use of them, express, implied or statutory, including for accuracy, completeness, or security. The user is fully responsible for his products and applications using LEMO components.