



## Summary

[Request a quote](#)

[Catalog](#)

Thermocouple	6
Wire Size/AWG	28 - 20
Gender	Standard
Plug	Plug - Straight
Locking system	Push-pull
Jacket cable outside diameter [mm]	8.30 - 9.20 mm
Size	2B
Matching parts	<a href="#">EGG.2B.306.CLL</a>
Series	B - Indoor keyed

## Technical details

[https://www.lemo.com/int\\_en/solutions/originals/b-indoor-keyed/fgg-2b-306-cykd92.html](https://www.lemo.com/int_en/solutions/originals/b-indoor-keyed/fgg-2b-306-cykd92.html)

LEMO products and services are provided "as is". LEMO makes no warranties or representations with regard to LEMO product & services or use of them, express, implied or statutory, including for accuracy, completeness, or security. The user is fully responsible for his products and applications using LEMO components.

## Electrical Configuration

Thermocouple	6
Insert configuration value	2B.306 - 6 Low Voltage
Insulator	Y: PEEK for crimp contacts
Rated current	12 Amps
ThC. Materials (P+/N-)	Chromel / Alumel
Contact Dia.	1.3
Wire Size/AWG	28 - 20
Gender	Standard

## Form & Material

Shell style / Model id	FG - Straight plug, cable collet
Plug	Straight
Housing material	Brass (chrome plated [SAE AMS 2460]) shell and collet nut, nickel plated [SAE AMS QQ N 290] brass latch sleeve and mid pieces
Locking system	Push-pull
Keying	1 key (alpha=0, plug: male contacts, receptacle: female contacts)
Weight	28.82 g

## Environment

Technical domain	Audio Video, Energy and Industrial, Medical, Semiconductor, Specialties and Other, Test and Measurement, Transportation, Aerospace and UAV
Environmental protection (IP rating)	IP50
Minimal temperature	-55°C / +250°C
Climatical Category	50/175/21
Humidity (max)	<=95% [at 60 deg C /140 F]
Shielding (min)	75 dB (10 MHz)
Shielding (min)	40 dB (1 GHz)
Shock Resistance	100 g [ 6 ms]
Vibration	15 g [10 Hz - 2000 Hz]
Salt Spray Corrosion	>1000 hr

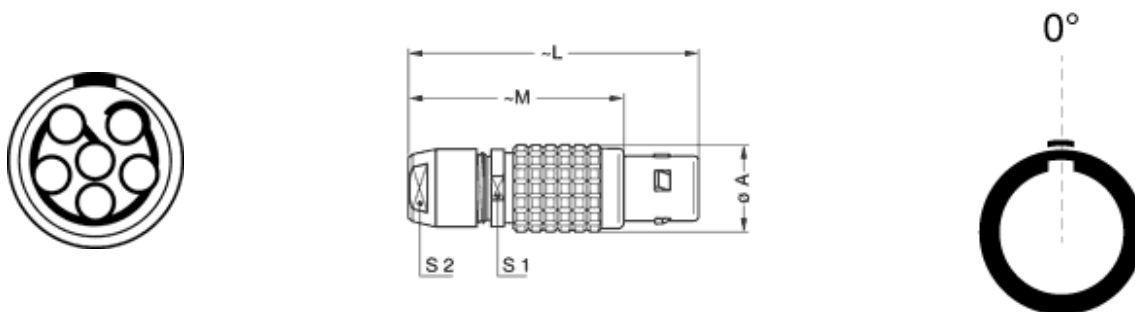
[https://www.lemo.com/int\\_en/solutions/originals/b-indoor-keyed/fgg-2b-306-cykd92.html](https://www.lemo.com/int_en/solutions/originals/b-indoor-keyed/fgg-2b-306-cykd92.html)

LEMO products and services are provided "as is". LEMO makes no warranties or representations with regard to LEMO product & services or use of them, express, implied or statutory, including for accuracy, completeness, or security. The user is fully responsible for his products and applications using LEMO components.

## Cable fixation

Cable termination protection	Standard back nut (no additional protection)
Fixation type	Cable collet
Jacket cable outside diameter [mm]	8.30 - 9.20 mm

## Drawings



## Dimensions

	<b>A</b>	<b>L</b>	<b>M</b>	<b>S1</b>	<b>S2</b>
mm.	15	50	38	13	12
in.	0.59	1.97	1.5	0.51	0.47

[https://www.lemo.com/int\\_en/solutions/originals/b-indoor-keyed/fgg-2b-306-cykd92.html](https://www.lemo.com/int_en/solutions/originals/b-indoor-keyed/fgg-2b-306-cykd92.html)

LEMO products and services are provided "as is". LEMO makes no warranties or representations with regard to LEMO product & services or use of them, express, implied or statutory, including for accuracy, completeness, or security. The user is fully responsible for his products and applications using LEMO components.