



Image for illustrative purpose only

Summary

[Request a quote](#)

[Catalog](#)

| | |
|----------------------------|-------------------|
| Nb of contacts Fiber optic | 1 |
| Gender | Standard |
| Plug | Plug - Straight |
| Locking system | Push-pull |
| Size | 0K |
| Series | K - Outdoor keyed |

https://www.lemo.com/int_en/solutions/originals/k-outdoor-keyed/fgg-0k-bb2-ccbe30.html

LEMO products and services are provided "as is". LEMO makes no warranties or representations with regard to LEMO product & services or use of them, express, implied or statutory, including for accuracy, completeness, or security. The user is fully responsible for his products and applications using LEMO components.

Technical details

Electrical Configuration

| | |
|----------------------------|---|
| Nb of contacts Fiber optic | 1 |
| Insert configuration value | 0K.BB2 - 1 FO 126 um hole |
| Insulator | C: Zirconia Ceramic |
| Core/Cladding (um) | 50/125 |
| Ferrule Material | Zirconia Ceramic |
| Hole dia.(um) | 126 |
| Contact Type | F2 (single- or multi-mode, cladding 125-140 um) |
| Gender | Standard |

Form & Material

| | |
|------------------------|--|
| Shell style / Model id | FG - Straight plug key (G) or (B) with bend relief included |
| Plug | Straight |
| Housing material | Brass (chrome plated [SAE AMS 2460]) shell, collet nut and latch sleeve, nickel plated [SAE AMS QQ N 290] brass mid pieces |
| Locking system | Push-pull |
| Keying | G: 1 key (alpha=0, plug: male contacts, receptacle: female contacts) |
| Colour | Grey |
| Variant | Gasket and O-ring in EPDM |

Environment

| | |
|-----------------------------------|---|
| Technical domain | Audio Video, Energy and Industrial, Medical, Test and Measurement |
| Environmental sealing (IP rating) | IP68 |
| Endurance | 5000 mating cycles |
| Temperature range | -55°C / +200°C |
| Climatical Category | 50/175/21 |
| Humidity (max) | <=95% [at 60 deg C /140 F] |
| Shielding (min) | 95 dB (10 MHz) |
| Shielding (min) | 80 dB (1 GHz) |
| Shock Resistance | 100 g [6 ms] |
| Vibration | 15 g [10 Hz - 2000 Hz] |
| Salt Spray Corrosion | >1000 hr |

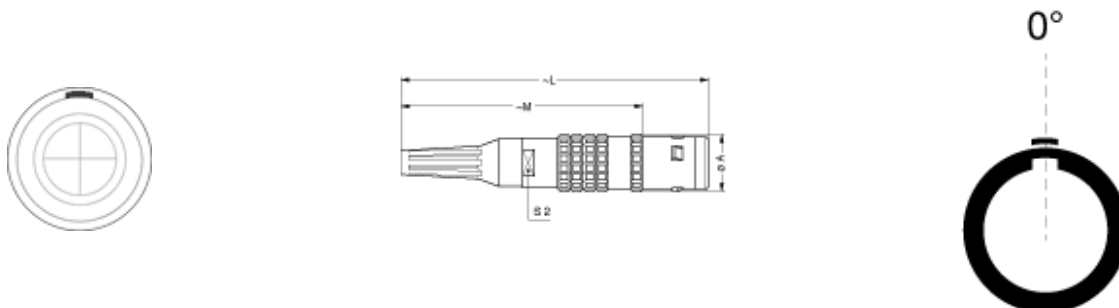
https://www.lemo.com/int_en/solutions/originals/k-outdoor-keyed/fgg-0k-bb2-ccbe30.html

LEMO products and services are provided "as is". LEMO makes no warranties or representations with regard to LEMO product & services or use of them, express, implied or statutory, including for accuracy, completeness, or security. The user is fully responsible for his products and applications using LEMO components.

Cable fixation

| | |
|------------------------------|--|
| Cable termination protection | Standard back nut (no additional protection) |
| Fixation type | Crimp |

Drawings



Dimensions

| | A | L | M | S1 |
|-----|----------|----------|----------|-----------|
| mm. | 11 | 57.5 | 46.5 | 7 |
| in. | 0.43 | 2.26 | 1.83 | 0.28 |

Recommended By Lemo

Accessories

Compatible cap

[BFG.0K.100.NAS](#)

https://www.lemo.com/int_en/solutions/originals/k-outdoor-keyed/fgg-0k-bb2-ccbe30.html

LEMO products and services are provided "as is". LEMO makes no warranties or representations with regard to LEMO product & services or use of them, express, implied or statutory, including for accuracy, completeness, or security. The user is fully responsible for his products and applications using LEMO components.