



## Summary

[Request a quote](#)

[Catalog](#)

Number of contacts Low Voltage	7
Wire Size/AWG	24 - 16
Gender	Reverse Gender
Plug	Plug - Straight
Locking system	Push-pull
Jacket cable outside diameter [mm]	8.60 - 9.00 mm
Size	3N
Series	N - Nuclear Stainless Steel

## Technical details

[https://www.lemo.com/int\\_en/solutions/supreme/n-nuclear-stainless-steel/fdg-3n-307-tlly90.html](https://www.lemo.com/int_en/solutions/supreme/n-nuclear-stainless-steel/fdg-3n-307-tlly90.html)

LEMO products and services are provided "as is". LEMO makes no warranties or representations with regard to LEMO product & services or use of them, express, implied or statutory, including for accuracy, completeness, or security. The user is fully responsible for his products and applications using LEMO components.

## Electrical Configuration

Contact Termination Low voltage	Solder
R (max)	3.5 mOhm
Insert configuration value	3N.307 - 7 Low Voltage
Insulator	L: PEEK (UL 94 / V-0/1.5)
Contact Type	Solder
Max. Solid Conductor	1 mm <sup>2</sup> (AWG 16)
Max. Stranded Conductor	1 mm <sup>2</sup> (AWG 18)
Bucket Dia.	1.4 mm (0.055in)
Contact Dia.	1.6 mm (0.063in)
Number of contacts Low Voltage	7
Wire Size/AWG	24 - 16
Gender	Reverse Gender

## Form & Material

Shell style / Model id	FDG - Straight plug with positioning pin, cable clamp and smooth handling surface
Plug	Straight
Housing material	Stainless steel shell, collet nut and latch sleeve, nickel plated [SAE AMS QQ N 290] brass mid pieces
Locking system	Push-pull
Keying	Push-Pull latch for manipulator. Female contacts
Weight	191.52 g

## Environment

Technical domain	Energy and Industrial, Specialties and Other
Environmental protection (IP rating)	IP66

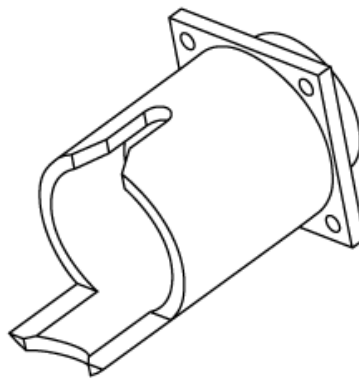
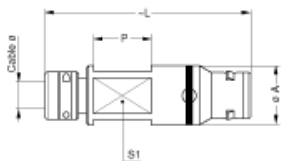
## Cable fixation

Cable termination protection	Standard back nut (no additional protection)
Fixation type	Cable collet
Jacket cable outside diameter [mm]	8.60 - 9.00 mm

[https://www.lemo.com/int\\_en/solutions/supreme/n-nuclear-stainless-steel/fdg-3n-307-tlly90.html](https://www.lemo.com/int_en/solutions/supreme/n-nuclear-stainless-steel/fdg-3n-307-tlly90.html)

LEMO products and services are provided "as is". LEMO makes no warranties or representations with regard to LEMO product & services or use of them, express, implied or statutory, including for accuracy, completeness, or security. The user is fully responsible for his products and applications using LEMO components.

# Drawings



## Dimensions

	<b>A</b>	<b>L</b>	<b>P</b>	<b>S1</b>
mm.	25	91	23	21
in.	0.98	3.58	0.91	0.83

[https://www.lemo.com/int\\_en/solutions/supreme/n-nuclear-stainless-steel/fdg-3n-307-tlly90.html](https://www.lemo.com/int_en/solutions/supreme/n-nuclear-stainless-steel/fdg-3n-307-tlly90.html)

LEMO products and services are provided "as is". LEMO makes no warranties or representations with regard to LEMO product & services or use of them, express, implied or statutory, including for accuracy, completeness, or security. The user is fully responsible for his products and applications using LEMO components.