



Image for illustrative purpose only

Summary

[Request a quote](#)

[Catalog](#)

Nb of contacts Coax	1
Gender	Standard
Plug	Plug - Straight
Locking system	Push-pull
Jacket cable outside diameter [mm]	8.60 - 9.00 mm
Size	3N
Series	N - Nuclear Stainless Steel

https://www.lemo.com/int_en/solutions/supreme/n-nuclear-stainless-steel/fdg-3n-250-tlay90y.html

LEMO products and services are provided "as is". LEMO makes no warranties or representations with regard to LEMO product & services or use of them, express, implied or statutory, including for accuracy, completeness, or security. The user is fully responsible for his products and applications using LEMO components.

Technical details

Electrical Configuration

Nb of contacts Coax	1
Contact Termination Coax	Solder
Insert configuration value	3N.250 - 1 Coax (50 Ohm)
Insulator	L: PEEK (UL 94 / V-0/1.5)
OHM	50
Contact Type	Solder
Gender	Standard

Form & Material

Shell style / Model id	FDG - Straight plug with positioning pin, cable clamp and smooth handling surface
Plug	Straight
Housing material	Stainless steel shell, collet nut and latch sleeve, nickel plated [SAE AMS QQ N 290] brass mid pieces
Locking system	Push-pull
Keying	Push-Pull latch for manipulator. Male contacts
Colour	Grey
Variant	Special part (contact LEMO for details)
Weight	188.83 g

Environment

Technical domain	Energy and Industrial, Specialties and Other
Environmental sealing (IP rating)	IP66

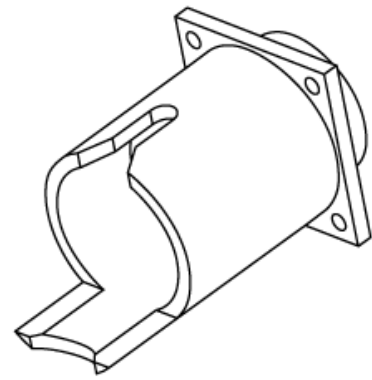
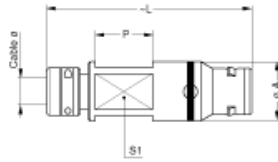
Cable fixation

Cable termination protection	Standard back nut (no additional protection)
Fixation type	Cable collet
Jacket cable outside diameter [mm]	8.60 - 9.00 mm

Drawings

https://www.lemo.com/int_en/solutions/supreme/n-nuclear-stainless-steel/fdg-3n-250-tlay90y.html

LEMO products and services are provided "as is". LEMO makes no warranties or representations with regard to LEMO product & services or use of them, express, implied or statutory, including for accuracy, completeness, or security. The user is fully responsible for his products and applications using LEMO components.



Dimensions

	A	L	P	S1
mm.	25	91	23	21
in.	0.98	3.58	0.91	0.83

https://www.lemo.com/int_en/solutions/supreme/n-nuclear-stainless-steel/fdg-3n-250-tlay90y.html

LEMO products and services are provided "as is". LEMO makes no warranties or representations with regard to LEMO product & services or use of them, express, implied or statutory, including for accuracy, completeness, or security. The user is fully responsible for his products and applications using LEMO components.