



## Summary

[Request a quote](#)

[Catalog](#)

Number of contacts Low Voltage	10
Wire Size/AWG	34 - 28
Gender	Standard
Plug	Plug - Fixed
Locking system	Snap-on
Size	1K
Suggested matching part	<a href="#">PHG.1K.310.CLLC30</a>
Series	K - Outdoor keyed

[https://www.lemo.com/int\\_en/solutions/originals/k-outdoor-keyed/fag-1k-310-cla.html](https://www.lemo.com/int_en/solutions/originals/k-outdoor-keyed/fag-1k-310-cla.html)

LEMO products and services are provided "as is". LEMO makes no warranties or representations with regard to LEMO product & services or use of them, express, implied or statutory, including for accuracy, completeness, or security. The user is fully responsible for his products and applications using LEMO components.

# Technical details

## Electrical Configuration

Contact Termination Low voltage	Solder
R (max)	8.7 mOhm
Insert configuration value	1K.310 - 10 Low Voltage
Insulator	L: PEEK (UL 94 / V-0/1.5)
Rated current	2.5 A
Vtest (contact-contact)	900 V (AC), 1270 V (DC)
Vtest (contact-shell)	1500 V (AC), 2150 V (DC)
Contact Type	Solder
Max. Solid Conductor	0.09 mm <sup>2</sup> (AWG 28)
Max. Stranded Conductor	0.09 mm <sup>2</sup> (AWG 28)
Bucket Dia.	0.45 mm (0.018in)
Contact Dia.	0.5 mm (0.02in)
Number of contacts Low Voltage	10
Wire Size/AWG	34 - 28
Gender	Standard

## Form & Material

Shell style / Model id	FA - Fixed plug, non-latching, nut fixing
Plug	Fixed
Housing material	Brass (chrome plated [SAE AMS 2460]) shell, collet nut and latch sleeve, nickel plated [SAE AMS QQ N 290] brass mid pieces
Locking system	Snap-on
Keying	1 key (alpha=0, plug: male contacts, receptacle: female contacts)
Weight	22.87 g

[https://www.lemo.com/int\\_en/solutions/originals/k-outdoor-keyed/fag-1k-310-cla.html](https://www.lemo.com/int_en/solutions/originals/k-outdoor-keyed/fag-1k-310-cla.html)

LEMO products and services are provided "as is". LEMO makes no warranties or representations with regard to LEMO product & services or use of them, express, implied or statutory, including for accuracy, completeness, or security. The user is fully responsible for his products and applications using LEMO components.

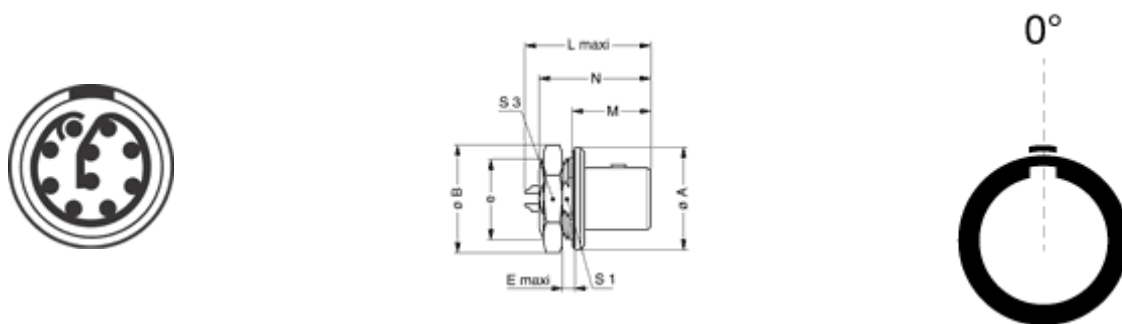
## Environment

Technical domain	Audio Video, Energy and Industrial, Medical, Test and Measurement
Environmental sealing (IP rating)	IP68
Endurance	5000 mating cycles
Temperature range	-55°C / +200°C
Climatical Category	50/175/21
Humidity (max)	<=95% [at 60 deg C /140 F]
Shielding (min)	95 dB (10 MHz)
Shielding (min)	80 dB (1 GHz)
Shock Resistance	100 g [ 6 ms]
Vibration	15 g [10 Hz - 2000 Hz]
Salt Spray Corrosion	>1000 hr

## Cable fixation

Cable termination protection	Standard back nut (no additional protection)
Fixation type	Cable collet

## Drawings



## Dimensions

	<b>A</b>	<b>B</b>	<b>e</b>	<b>E</b>	<b>L</b>	<b>M</b>	<b>N</b>	<b>S1</b>	<b>S3</b>
mm.	20	21.5	M16x1.0	2.3	22.6	16	22.5	14.5	19
in.	0.79	0.85		0.09	0.89	0.63	0.89	0.57	0.75

[https://www.lemo.com/int\\_en/solutions/originals/k-outdoor-keyed/fag-1k-310-cla.html](https://www.lemo.com/int_en/solutions/originals/k-outdoor-keyed/fag-1k-310-cla.html)

LEMO products and services are provided "as is". LEMO makes no warranties or representations with regard to LEMO product & services or use of them, express, implied or statutory, including for accuracy, completeness, or security. The user is fully responsible for his products and applications using LEMO components.

# Recommended By Lemo

## Accessories

---





## Tools

---

Spanner wrench

[Socket for torque wrench DCM.0E.M14.4](#)

# Cables

Cable PartNumber	Material	Colour	Cable image
CMN.10.T28.052PGZE		grey	
CMN.10.T28.052PNZE			
CMN.10.T28.053QGZE	TPR (medical)	Grey	
110280	PVC	Black	

[https://www.lemo.com/int\\_en/solutions/originals/k-outdoor-keyed/fag-1k-310-cla.html](https://www.lemo.com/int_en/solutions/originals/k-outdoor-keyed/fag-1k-310-cla.html)

LEMO products and services are provided "as is". LEMO makes no warranties or representations with regard to LEMO product & services or use of them, express, implied or statutory, including for accuracy, completeness, or security. The user is fully responsible for his products and applications using LEMO components.