

## Summary

[Request a quote](#)

[Catalog](#)

Number of contacts Low Voltage	3
Gender	Standard
Socket / Receptacle	Socket / Receptacle - Elbow
Locking system	Push-pull
Size	0B
Suggested matching part	<a href="#">FGC.0B.303.CLAD22Z</a>
Series	B - Indoor keyed

[https://www.lemo.com/int\\_en/solutions/originals/b-indoor-keyed/exc-0b-303-hlnz.html](https://www.lemo.com/int_en/solutions/originals/b-indoor-keyed/exc-0b-303-hlnz.html)

LEMO products and services are provided "as is". LEMO makes no warranties or representations with regard to LEMO product & services or use of them, express, implied or statutory, including for accuracy, completeness, or security. The user is fully responsible for his products and applications using LEMO components.

# Technical details

## Electrical Configuration

Contact Termination Low voltage	PCB - Straight
R (max)	4.8 mOhm
Insert configuration value	0B.303/EXG - 3 Low Voltage
Insulator	L: PEEK (UL 94 / V-0/1.5)
Rated current	4.5 A
Test voltage contact-body shell	1.6 kV rms
Test voltage contact-contact	1.7 kV rms
Contact Type	Print (straight)
Contact Dia.	0.9 mm (0.035in)
Number of contacts Low Voltage	3
Gender	Standard

## Form & Material

Shell style / Model id	EX - Elbow receptacle for printed circuit without front nut (solder or screw fixing, back panel mounting)
Socket / Receptacle	Elbow
Housing material	PPS (Polyphenylene) shell, other pieces nickel plated [SAE AMS QQ N 290] brass
Locking system	Push-pull
Keying	2 keys (alpha=90, plug: male contacts, receptacle: female contacts)
Variant	No hardware (washer/nut)

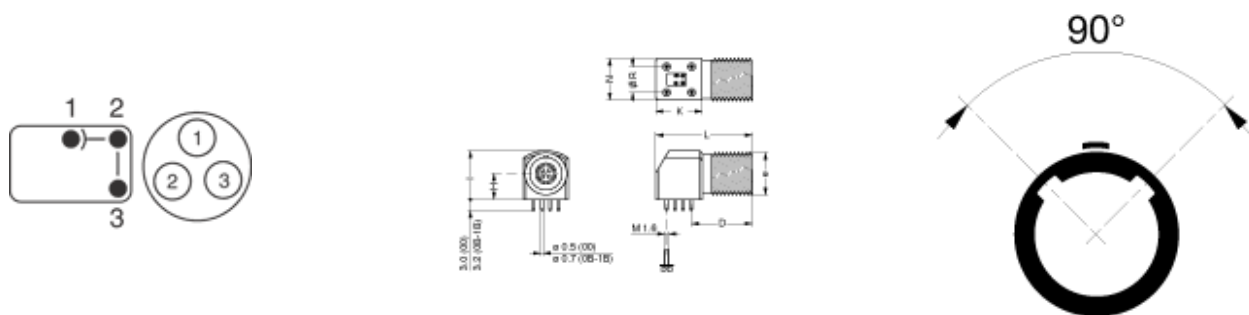
[https://www.lemo.com/int\\_en/solutions/originals/b-indoor-keyed/exc-0b-303-hlnz.html](https://www.lemo.com/int_en/solutions/originals/b-indoor-keyed/exc-0b-303-hlnz.html)

LEMO products and services are provided "as is". LEMO makes no warranties or representations with regard to LEMO product & services or use of them, express, implied or statutory, including for accuracy, completeness, or security. The user is fully responsible for his products and applications using LEMO components.

## Environment

Technical domain	Audio Video, Energy and Industrial, Medical, Semiconductor, Specialties and Other, Test and Measurement, Transportation, Aerospace and UAV
Environmental sealing (IP rating)	IP50
Endurance	5000 mating cycles
Temperature range	-55°C / +250°C
Climatical Category	50/175/21
Humidity (max)	<=95% [at 60 deg C /140 F]
Shielding (min)	75 dB (10 MHz)
Shielding (min)	40 dB (1 GHz)
Shock Resistance	100 g [ 6 ms]
Vibration	15 g [10 Hz - 2000 Hz]
Salt Spray Corrosion	>144 hr

## Drawings



## Dimensions

	D	e	H	I	K	L	N	R
mm.	14.6	M9x0.6	6.7	12.6	13.3	25	11.7	7.62
in.	0.57		0.26	0.5	0.52	0.98	0.46	0.3

[https://www.lemo.com/int\\_en/solutions/originals/b-indoor-keyed/exc-0b-303-hlnz.html](https://www.lemo.com/int_en/solutions/originals/b-indoor-keyed/exc-0b-303-hlnz.html)

LEMO products and services are provided "as is". LEMO makes no warranties or representations with regard to LEMO product & services or use of them, express, implied or statutory, including for accuracy, completeness, or security. The user is fully responsible for his products and applications using LEMO components.