



Image for illustrative purpose only

Summary

[Request a quote](#)

[Catalog](#)

Nb of contacts Coax	1
Socket / Receptacle	Socket / Receptacle - Fixed Panel Front Mounted
Locking system	Push-pull
Size	2C
Suggested matching part	FFA.2C.250.CTAC52

https://www.lemo.com/int_en/era-2c-250-ctl.html

LEMO products and services are provided "as is". LEMO makes no warranties or representations with regard to LEMO product & services or use of them, express, implied or statutory, including for accuracy, completeness, or security. The user is fully responsible for his products and applications using LEMO components.

Technical details

Electrical Configuration

Nb of contacts Coax	1
Contact Termination Coax	Solder
Insert configuration value	2C.250 - 1 Coax (50 Ohm)
OHM	50
Contact Type	Solder

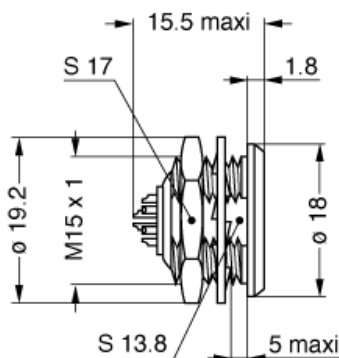
Form & Material

Shell style / Model id	ERA - Fixed receptacle, nut fixing
Socket / Receptacle	Fixed Panel Front Mounted
Housing material	Brass (chrome plated [SAE AMS 2460]) shell and collet nut, nickel plated [SAE AMS QQ N 290] brass latch sleeve and mid pieces
Locking system	Push-pull
Keying	Circular, female
Weight	12.45 g

Environment

Environmental sealing (IP rating)	IP50
Endurance	500 mating cycles
Salt Spray Corrosion	>1000 hr

Drawings



https://www.lemo.com/int_en/era-2c-250-ctl.html

LEMO products and services are provided "as is". LEMO makes no warranties or representations with regard to LEMO product & services or use of them, express, implied or statutory, including for accuracy, completeness, or security. The user is fully responsible for his products and applications using LEMO components.

Dimensions

	A	L	e
mm.	18	15.6	M15x1.0
in.	0.71	0.61	

https://www.lemo.com/int_en/era-2c-250-ctl.html

LEMO products and services are provided "as is". LEMO makes no warranties or representations with regard to LEMO product & services or use of them, express, implied or statutory, including for accuracy, completeness, or security. The user is fully responsible for his products and applications using LEMO components.