



Image for illustrative purpose only

Summary

[Request a quote](#)

[Catalog](#)

Nb of contacts Fluidic	1
Number of contacts Low Voltage	10
Gender	Standard
Socket / Receptacle	Socket / Receptacle - Fixed Panel Front Mounted
Locking system	Push-pull
Jacket cable outside diameter [mm]	4.00 - 23.60 mm
Size	4B
Suggested matching part	FGY.4B.P15.PLAD15B
Series	B - Indoor keyed

https://www.lemo.com/int_en/solutions/originals/b-indoor-keyed/eny-4b-p15-pllb.html

LEMO products and services are provided "as is". LEMO makes no warranties or representations with regard to LEMO product & services or use of them, express, implied or statutory, including for accuracy, completeness, or security. The user is fully responsible for his products and applications using LEMO components.

Technical details

Electrical Configuration

Contact Termination Low voltage	Solder
Nb of contacts Fluidic	1
Contact Termination Fluidic	Solder
Insert configuration value	4B.P15 - 1 Fluidic with valve P1, 30 Low Voltage
Insulator	L: PEEK (UL 94 / V-0/1.5)
Contact Type	Solder
Number of contacts Low Voltage	10
Gender	Standard

Form & Material

Shell style / Model id	EN - Fixed receptacle with grounding tab, nut fixing, PSU or PPSU outer shell
Socket / Receptacle	Fixed Panel Front Mounted
Housing material	PSU (Polysulfone) shell and collet nut, nickel plated [SAE AMS QQ N 290] brass latch sleeve and mid pieces
Locking system	Push-pull
Keying	3 keys (beta=112.5, gamma=147.5°, plug: male contacts, receptacle: female contacts)
Weight	39.71 g

Environment

Technical domain	Audio Video, Energy and Industrial, Medical, Semiconductor, Specialties and Other, Test and Measurement, Transportation, Aerospace and UAV
Environmental sealing (IP rating)	IP50
Endurance	5000 mating cycles
Temperature range	-50°C / +150°C
Climatical Category	50/175/21
Humidity (max)	<=95% [at 60 deg C /140 F]
Shielding (min)	75 dB (10 MHz)
Shielding (min)	40 dB (1 GHz)
Shock Resistance	100 g [6 ms]
Vibration	15 g [10 Hz - 2000 Hz]

https://www.lemo.com/int_en/solutions/originals/b-indoor-keyed/eny-4b-p15-pllb.html

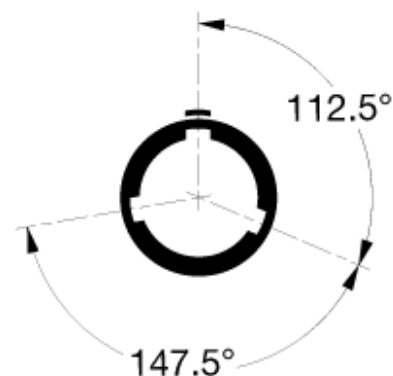
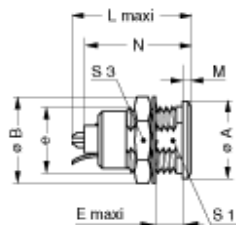
LEMO products and services are provided "as is". LEMO makes no warranties or representations with regard to LEMO product & services or use of them, express, implied or statutory, including for accuracy, completeness, or security. The user is fully responsible for his products and applications using LEMO components.

Cable fixation

Jacket cable outside diameter [mm]

4.00 - 23.60 mm

Drawings



Dimensions

	A	B	e	E	L max F1	L max F2	M	S1	S3
mm.	28	34	M25x1.0	12	34.5	38.5	2.5	23.5	30
in.	1.1	1.34		0.47	1.36	1.52	0.1	0.93	1.18

https://www.lemo.com/int_en/solutions/originals/b-indoor-keyed/eny-4b-p15-pllb.html

LEMO products and services are provided "as is". LEMO makes no warranties or representations with regard to LEMO product & services or use of them, express, implied or statutory, including for accuracy, completeness, or security. The user is fully responsible for his products and applications using LEMO components.