



Image for illustrative purpose only

Summary

[Request a quote](#)

[Catalog](#)

Number of contacts Low Voltage	4
Nb of contacts Coax	2
Wire Size/AWG	30 - 22
Gender	Standard
Socket / Receptacle	Socket / Receptacle - Fixed Panel Front Mounted
Locking system	Push-pull
Jacket cable outside diameter [mm]	2.00 - 16.60 mm
Size	3B
Suggested matching part	FGG.3B.844.CLAD101
Series	B - Indoor keyed

https://www.lemo.com/int_en/solutions/originals/b-indoor-keyed/ehg-3b-844-cll1.html

LEMO products and services are provided "as is". LEMO makes no warranties or representations with regard to LEMO product & services or use of them, express, implied or statutory, including for accuracy, completeness, or security. The user is fully responsible for his products and applications using LEMO components.

Technical details

Electrical Configuration

Number of contacts Low Voltage	4
Contact Termination Low voltage	Solder
Nb of contacts Coax	2
Contact Termination Coax - Conductor fixing	Crimp
Contact Termination Coax - Screen fixing	Crimp
R (max)	5.8 mOhm
Insert configuration value	3B.844 - 2 Coax (50 Ohm), 4 Low V.
Insulator	L: PEEK (UL 94 / V-0/1.5)
Rated current	10 A
OHM	50
Test voltage (kV DC)	1.3
Cable type	RG 174 A/U, RG 188 A/U, RG 316 /U
Contact Dia.	0.7 mm (0.03in)
Wire Size/AWG	30 - 22
Gender	Standard

Form & Material

Shell style / Model id	EH - Fixed receptacle, nut fixing and protruding shell
Socket / Receptacle	Fixed Panel Front Mounted
Housing material	Brass (chrome plated [SAE AMS 2460]) shell and collet nut, nickel plated [SAE AMS QQ N 290] brass latch sleeve and mid pieces
Locking system	Push-pull
Keying	G: 1 key (alpha=0, plug: male contacts, receptacle: female contacts)
Colour	Grey
Weight	31.86 g

https://www.lemo.com/int_en/solutions/originals/b-indoor-keyed/ehg-3b-844-cll1.html

LEMO products and services are provided "as is". LEMO makes no warranties or representations with regard to LEMO product & services or use of them, express, implied or statutory, including for accuracy, completeness, or security. The user is fully responsible for his products and applications using LEMO components.

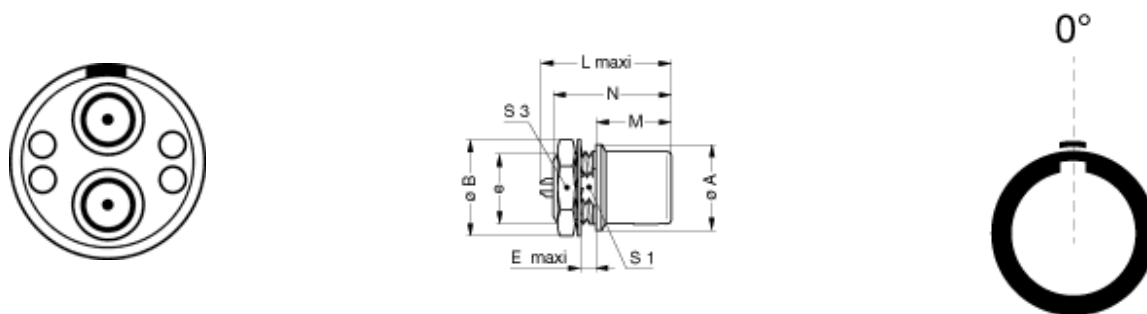
Environment

Technical domain	Audio Video, Energy and Industrial, Medical, Semiconductor, Specialties and Other, Test and Measurement, Transportation, Aerospace and UAV
Environmental sealing (IP rating)	IP50
Endurance	5000 mating cycles
Temperature range	-55°C / +250°C (max. temperature valid for short periods of use.)
Climatical Category	50/175/21
Humidity (max)	<=95% [at 60 deg C /140 F]
Shielding (min)	75 dB (10 MHz)
Shielding (min)	40 dB (1 GHz)
Shock Resistance	100 g [6 ms]
Vibration	15 g [10 Hz - 2000 Hz]
Salt Spray Corrosion	>1000 hr

Cable fixation

Jacket cable outside diameter [mm]	2.00 - 16.60 mm
------------------------------------	-----------------

Drawings



Dimensions

	A	B	e	E	L	M	N	S1	S3
mm.	22	25	M18x1.0	7.1	30.7	12.5	30.3	16.5	22
in.	0.87	0.98		0.28	1.21	0.49	1.19	0.65	0.87

https://www.lemo.com/int_en/solutions/originals/b-indoor-keyed/ehg-3b-844-cll1.html

LEMO products and services are provided "as is". LEMO makes no warranties or representations with regard to LEMO product & services or use of them, express, implied or statutory, including for accuracy, completeness, or security. The user is fully responsible for his products and applications using LEMO components.

Recommended By Lemo

Tools

Die Tool

[DPE.99.103.8K](#)

Extraction tool

[DCC.91.CP1.LAG](#)

https://www.lemo.com/int_en/solutions/originals/b-indoor-keyed/ehg-3b-844-cll1.html

LEMO products and services are provided "as is". LEMO makes no warranties or representations with regard to LEMO product & services or use of them, express, implied or statutory, including for accuracy, completeness, or security. The user is fully responsible for his products and applications using LEMO components.