



## Summary

[Request a quote](#)

[Catalog](#)

Nb of contacts Coax	1
Number of contacts Low Voltage	10
Wire Size/AWG	30 - 22
Gender	Reverse Gender
Socket / Receptacle	Socket / Receptacle - Fixed Panel Front Mounted
Locking system	Push-pull
Jacket cable outside diameter [mm]	1.00 - 18.60 mm
Size	2K
Series	K - Outdoor keyed

[https://www.lemo.com/int\\_en/solutions/originals/k-outdoor-keyed/egl-2k-810-cla1.html](https://www.lemo.com/int_en/solutions/originals/k-outdoor-keyed/egl-2k-810-cla1.html)

LEMO products and services are provided "as is". LEMO makes no warranties or representations with regard to LEMO product & services or use of them, express, implied or statutory, including for accuracy, completeness, or security. The user is fully responsible for his products and applications using LEMO components.

# Technical details

## Electrical Configuration

Contact Termination Low voltage	Solder
Nb of contacts Coax	1
Contact Termination Coax	Crimp
R (max)	5.8 mOhm
Insert configuration value	2K.810 - 1 Coax (50 Ohm), 10 Low V.
Insulator	L: PEEK (UL 94 / V-0/1.5)
Rated current	7 A
Test voltage (kV DC)	1.35
Contact Type	Coaxial 50 Ohm (Crimp) Type C
Cable type	RG 174 A/U, RG 188 A/U, RG 316 /U
Contact Dia.	0.7 mm (0.03in)
Number of contacts Low Voltage	10
Wire Size/AWG	30 - 22
Gender	Reverse Gender

## Form & Material

Shell style / Model id	EG - Fixed receptacle, nut fixing
Socket / Receptacle	Fixed Panel Front Mounted
Housing material	Brass (chrome plated [SAE AMS 2460]) shell, collet nut and latch sleeve, nickel plated [SAE AMS QQ N 290] brass mid pieces
Locking system	Push-pull
Keying	2 keys (gamma=75, plug: female contacts, receptacle: male contacts)

[https://www.lemo.com/int\\_en/solutions/originals/k-outdoor-keyed/egl-2k-810-cla1.html](https://www.lemo.com/int_en/solutions/originals/k-outdoor-keyed/egl-2k-810-cla1.html)

LEMO products and services are provided "as is". LEMO makes no warranties or representations with regard to LEMO product & services or use of them, express, implied or statutory, including for accuracy, completeness, or security. The user is fully responsible for his products and applications using LEMO components.

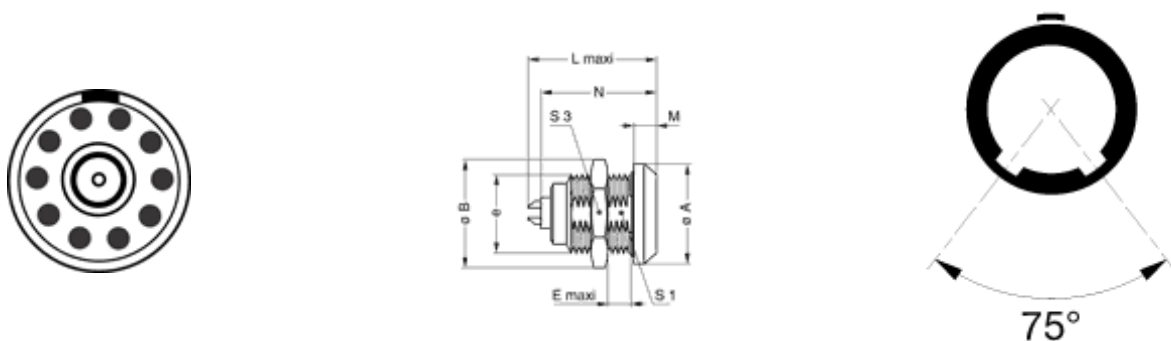
## Environment

Technical domain	Audio Video, Energy and Industrial, Medical, Test and Measurement
Environmental sealing (IP rating)	IP68
Endurance	5000 mating cycles
Temperature range	-55°C / +200°C
Climatical Category	50/175/21
Humidity (max)	<=95% [at 60 deg C /140 F]
Shielding (min)	95 dB (10 MHz)
Shielding (min)	80 dB (1 GHz)
Shock Resistance	100 g [ 6 ms]
Vibration	15 g [10 Hz - 2000 Hz]
Salt Spray Corrosion	>1000 hr

## Cable fixation

Jacket cable outside diameter [mm]	1.00 - 18.60 mm
------------------------------------	-----------------

## Drawings



## Dimensions

	<b>e</b>	<b>E</b>	<b>L</b>	<b>M</b>	<b>N</b>	<b>S1</b>	<b>S3</b>	<b>A</b>	<b>B</b>
mm.	M20x1.0	9	30.7	5	28.6	18.5	24	25	27.5
in.		0.35	1.21	0.2	1.13	0.73	0.94	0.98	1.08

[https://www.lemo.com/int\\_en/solutions/originals/k-outdoor-keyed/egl-2k-810-cla1.html](https://www.lemo.com/int_en/solutions/originals/k-outdoor-keyed/egl-2k-810-cla1.html)

LEMO products and services are provided "as is". LEMO makes no warranties or representations with regard to LEMO product & services or use of them, express, implied or statutory, including for accuracy, completeness, or security. The user is fully responsible for his products and applications using LEMO components.