



## Summary

[Request a quote](#)

[Catalog](#)

Number of contacts Low Voltage	14
Wire Size/AWG	34 - 28
Gender	Reverse Gender
Socket / Receptacle	Socket / Receptacle - Fixed Panel Front Mounted
Locking system	Push-pull
Jacket cable outside diameter [mm]	1.00 - 14.60 mm
Size	1K
Suggested matching part	<a href="#">FGL.1K.314.CLLC50</a>
Series	K - Outdoor keyed

[https://www.lemo.com/int\\_en/solutions/originals/k-outdoor-keyed/egl-1k-314-cla.html](https://www.lemo.com/int_en/solutions/originals/k-outdoor-keyed/egl-1k-314-cla.html)

LEMO products and services are provided "as is". LEMO makes no warranties or representations with regard to LEMO product & services or use of them, express, implied or statutory, including for accuracy, completeness, or security. The user is fully responsible for his products and applications using LEMO components.

# Technical details

## Electrical Configuration

Contact Termination Low voltage	Solder
R (max)	8.7 mOhm
Insert configuration value	1K.314 - 14 Low Voltage
Insulator	L: PEEK (UL 94 / V-0/1.5)
Rated current	2 A
Vtest (contact-contact)	800 V (AC), 1130 V (DC)
Vtest (contact-shell)	1200 V (AC), 1700 V (DC)
Contact Type	Solder
Max. Solid Conductor	0.09 mm <sup>2</sup> (AWG 28)
Max. Stranded Conductor	0.09 mm <sup>2</sup> (AWG 28)
Bucket Dia.	0.45 mm (0.018in)
Contact Dia.	0.5 mm (0.02in)
Number of contacts Low Voltage	14
Wire Size/AWG	34 - 28
Gender	Reverse Gender

## Form & Material

Shell style / Model id	EG - Fixed receptacle, nut fixing
Socket / Receptacle	Fixed Panel Front Mounted
Housing material	Brass (chrome plated [SAE AMS 2460]) shell, collet nut and latch sleeve, nickel plated [SAE AMS QQ N 290] brass mid pieces
Locking system	Push-pull
Keying	2 keys (gamma=75, plug: female contacts, receptacle: male contacts)
Weight	19.02 g

[https://www.lemo.com/int\\_en/solutions/originals/k-outdoor-keyed/egl-1k-314-cla.html](https://www.lemo.com/int_en/solutions/originals/k-outdoor-keyed/egl-1k-314-cla.html)

LEMO products and services are provided "as is". LEMO makes no warranties or representations with regard to LEMO product & services or use of them, express, implied or statutory, including for accuracy, completeness, or security. The user is fully responsible for his products and applications using LEMO components.

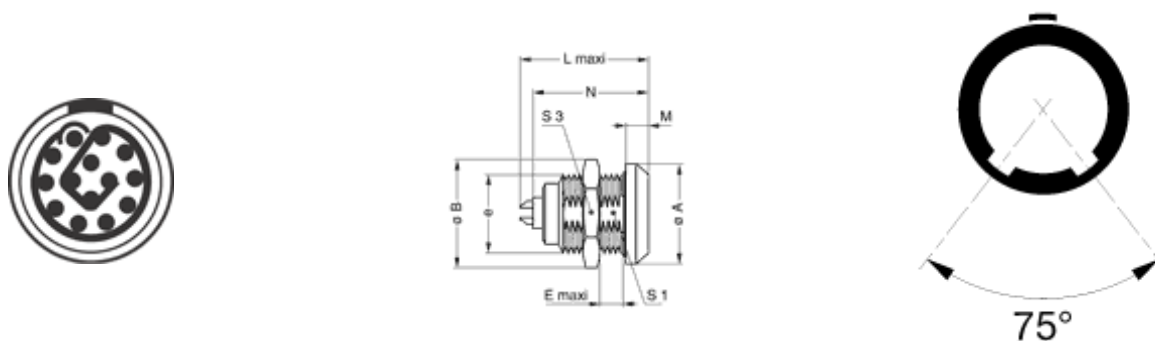
## Environment

Technical domain	Audio Video, Energy and Industrial, Medical, Test and Measurement
Environmental sealing (IP rating)	IP68
Endurance	5000 mating cycles
Temperature range	-55°C / +200°C
Climatical Category	50/175/21
Humidity (max)	<=95% [at 60 deg C /140 F]
Shielding (min)	95 dB (10 MHz)
Shielding (min)	80 dB (1 GHz)
Shock Resistance	100 g [ 6 ms]
Vibration	15 g [10 Hz - 2000 Hz]
Salt Spray Corrosion	>1000 hr

## Cable fixation

Jacket cable outside diameter [mm]	1.00 - 14.60 mm
------------------------------------	-----------------

## Drawings



## Dimensions

	<b>e</b>	<b>E</b>	<b>L</b>	<b>M</b>	<b>N</b>	<b>S1</b>	<b>S3</b>	<b>A</b>	<b>B</b>
mm.	M16x1.0	9	27	4.5	25.1	14.5	19	20	21.5
in.		0.35	1.06	0.18	0.99	0.57	0.75	0.79	0.85

[https://www.lemo.com/int\\_en/solutions/originals/k-outdoor-keyed/egl-1k-314-cla.html](https://www.lemo.com/int_en/solutions/originals/k-outdoor-keyed/egl-1k-314-cla.html)

LEMO products and services are provided "as is". LEMO makes no warranties or representations with regard to LEMO product & services or use of them, express, implied or statutory, including for accuracy, completeness, or security. The user is fully responsible for his products and applications using LEMO components.

# Recommended By Lemo




Accessories

---

Tools

---

## Cables

Cable PartNumber	Material	Colour	Cable image
CMN.14.T28.056PGZE		grey	
CMN.14.T28.056PNZE			
CMN.14.T28.056QGZE	TPR (medical)	Grey	

[https://www.lemo.com/int\\_en/solutions/originals/k-outdoor-keyed/egl-1k-314-cla.html](https://www.lemo.com/int_en/solutions/originals/k-outdoor-keyed/egl-1k-314-cla.html)

LEMO products and services are provided "as is". LEMO makes no warranties or representations with regard to LEMO product & services or use of them, express, implied or statutory, including for accuracy, completeness, or security. The user is fully responsible for his products and applications using LEMO components.