



## Summary

[Request a quote](#)

[Catalog](#)

Number of contacts Low Voltage	18
Gender	Standard
Socket / Receptacle	Socket / Receptacle - Fixed Panel Rear Mounted
Locking system	Push-pull
Size	2K
Suggested matching part	<a href="#">FGG.2K.318.CLAC70Z</a>
Series	K - Outdoor keyed

[https://www.lemo.com/int\\_en/solutions/originals/k-outdoor-keyed/eeg-2k-318-cln.html](https://www.lemo.com/int_en/solutions/originals/k-outdoor-keyed/eeg-2k-318-cln.html)

LEMO products and services are provided "as is". LEMO makes no warranties or representations with regard to LEMO product & services or use of them, express, implied or statutory, including for accuracy, completeness, or security. The user is fully responsible for his products and applications using LEMO components.

# Technical details

## Electrical Configuration

Contact Termination Low voltage	PCB - Straight
R (max)	6.1 mOhm
Insert configuration value	2K.318 - 18 Low Voltage
Insulator	L: PEEK (UL 94 / V-0/1.5)
Rated current	5.5 A
Vtest (contact-contact)	850 V (AC), 1200 V (DC)
Vtest (contact-shell)	1200 V (AC), 1700 V (DC)
Contact Type	Print (straight)
Contact Dia.	0.7 mm (0.028in)
Number of contacts Low Voltage	18
Gender	Standard

## Form & Material

Shell style / Model id	EE - Fixed receptacle, nut fixing, with straight contacts for printed circuit (back panel mounting)
Socket / Receptacle	Fixed Panel Rear Mounted
Housing material	Brass (chrome plated [SAE AMS 2460]) shell, collet nut and latch sleeve, nickel plated [SAE AMS QQ N 290] brass mid pieces
Locking system	Push-pull
Keying	1 key (alpha=0, plug: male contacts, receptacle: female contacts)
Weight	37.01 g

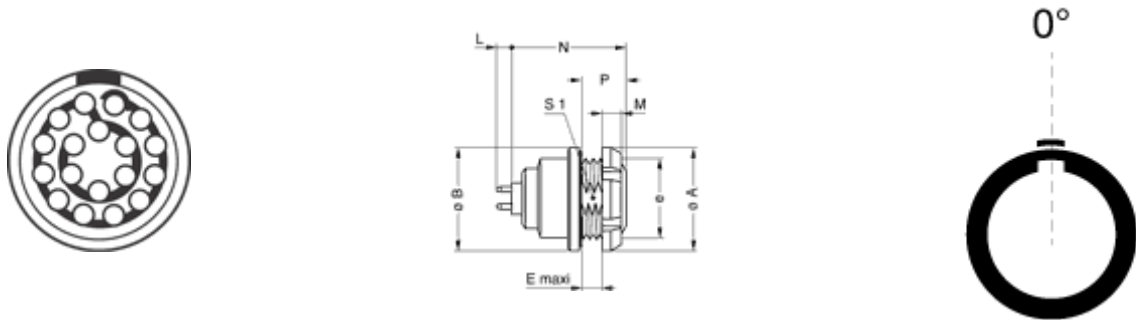
[https://www.lemo.com/int\\_en/solutions/originals/k-outdoor-keyed/eeg-2k-318-cln.html](https://www.lemo.com/int_en/solutions/originals/k-outdoor-keyed/eeg-2k-318-cln.html)

LEMO products and services are provided "as is". LEMO makes no warranties or representations with regard to LEMO product & services or use of them, express, implied or statutory, including for accuracy, completeness, or security. The user is fully responsible for his products and applications using LEMO components.

## Environment

Technical domain	Audio Video, Energy and Industrial, Medical, Test and Measurement
Environmental sealing (IP rating)	IP68
Endurance	5000 mating cycles
Temperature range	-55°C / +200°C
Climatical Category	50/175/21
Humidity (max)	<=95% [at 60 deg C /140 F]
Shielding (min)	95 dB (10 MHz)
Shielding (min)	80 dB (1 GHz)
Shock Resistance	100 g [ 6 ms]
Vibration	15 g [10 Hz - 2000 Hz]
Salt Spray Corrosion	>1000 hr

## Drawings



## Dimensions

	<b>B</b>	<b>e</b>	<b>E</b>	<b>M</b>	<b>A</b>	<b>N</b>	<b>S1</b>	<b>P</b>
mm.	25	M20x1.0	5	3.5	25	25.8	18.5	10
in.	0.98		0.2	0.14	0.98	1.02	0.73	0.39

[https://www.lemo.com/int\\_en/solutions/originals/k-outdoor-keyed/eeg-2k-318-cln.html](https://www.lemo.com/int_en/solutions/originals/k-outdoor-keyed/eeg-2k-318-cln.html)

LEMO products and services are provided "as is". LEMO makes no warranties or representations with regard to LEMO product & services or use of them, express, implied or statutory, including for accuracy, completeness, or security. The user is fully responsible for his products and applications using LEMO components.