



Image for illustrative purpose only

Summary

[Request a quote](#)

[Catalog](#)

| | |
|--------------------------------|---|
| Number of contacts Low Voltage | 20 |
| Wire Size/AWG | 18 - 14 |
| Socket / Receptacle | Socket / Receptacle - Fixed Panel Front Mounted |
| Locking system | Push-pull |
| Size | 5N |
| Suggested matching part | FMG.5N.320.TLCY12 |
| Series | N - Nuclear Stainless Steel |

https://www.lemo.com/int_en/solutions/supreme/n-nuclear-stainless-steel/edg-5n-320-tlm.html

LEMO products and services are provided "as is". LEMO makes no warranties or representations with regard to LEMO product & services or use of them, express, implied or statutory, including for accuracy, completeness, or security. The user is fully responsible for his products and applications using LEMO components.

Technical details

Electrical Configuration

| | |
|---------------------------------|------------------------------|
| Contact Termination Low voltage | Crimp |
| R (max) | 3.5 mOhm |
| Insert configuration value | 5N.320 - 20 Low Voltage |
| Insulator | L: PEEK (UL 94 / V-0/1.5) |
| Rated current | 10 A |
| Contact retention | 50 N |
| Contact Type | Crimp |
| Max. Conductor | 1.5 mm ² (AWG 14) |
| Min. Conductor | 1 mm ² (AWG 18) |
| Bucket Dia. | 1.9 mm (0.075in) |
| Contact Dia. | 1.6 mm (0.063in) |
| Number of contacts Low Voltage | 20 |
| Wire Size/AWG | 18 - 14 |

Form & Material

| | |
|------------------------|---|
| Shell style / Model id | EDG - Fixed receptacle with square flange, 4 screw fixing, with long pre-positioning sleeve |
| Socket / Receptacle | Fixed Panel Front Mounted |
| Housing material | Stainless steel shell, collet nut and latch sleeve, nickel plated [SAE AMS QQ N 290] brass mid pieces |
| Locking system | Push-pull |
| Keying | Push-Pull latch for manipulator. Female contacts |
| Colour | Grey |
| Weight | 705.22 g |

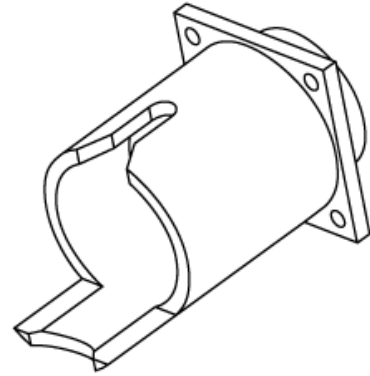
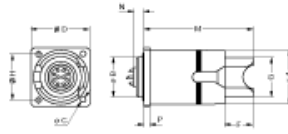
Environment

| | |
|-----------------------------------|--|
| Technical domain | Energy and Industrial, Specialties and Other |
| Environmental sealing (IP rating) | IP66 |

https://www.lemo.com/int_en/solutions/supreme/n-nuclear-stainless-steel/edg-5n-320-tlm.html

LEMO products and services are provided "as is". LEMO makes no warranties or representations with regard to LEMO product & services or use of them, express, implied or statutory, including for accuracy, completeness, or security. The user is fully responsible for his products and applications using LEMO components.

Drawings



Dimensions

| | A | B | C | D | F | G | H | M | N | P |
|-----|------|------|-----|------|------|------|------|------|------|-----|
| mm. | 55 | 45 | 5.2 | 58 | 28.0 | 35 | 46 | 94.0 | 13.2 | 5 |
| in. | 2.17 | 1.77 | 0.2 | 2.28 | 1.1 | 1.38 | 1.81 | 3.7 | 0.52 | 0.2 |

Recommended By Lemo

Accessories





Replacement contact [EGG.5B.670.ZZM](#)

Tools

Positionner [DCE.91.165.BVCM](#)

Extraction tool [DCC.16.25B.LAG](#)

Cables

| Cable PartNumber | Material | Colour | Cable image |
|------------------|----------|--------|---|
| 420250 | PVC | Grey |  |
| 420500 | PVC | Grey |  |
| 520150 | PVC | Grey |  |
| 520750 | PVC | Grey |  |

https://www.lemo.com/int_en/solutions/supreme/n-nuclear-stainless-steel/edg-5n-320-tlm.html

LEMO products and services are provided "as is". LEMO makes no warranties or representations with regard to LEMO product & services or use of them, express, implied or statutory, including for accuracy, completeness, or security. The user is fully responsible for his products and applications using LEMO components.