



Image for illustrative purpose only

Summary

[Request a quote](#)

[Catalog](#)

Number of contacts Low Voltage	6
Wire Size/AWG	16 - 12
Socket / Receptacle	Socket / Receptacle - Fixed Panel Front Mounted
Locking system	Push-pull
Size	4N
Series	N - Nuclear Stainless Steel

https://www.lemo.com/int_en/solutions/supreme/n-nuclear-stainless-steel/edg-4n-306-tym.html

LEMO products and services are provided "as is". LEMO makes no warranties or representations with regard to LEMO product & services or use of them, express, implied or statutory, including for accuracy, completeness, or security. The user is fully responsible for his products and applications using LEMO components.

Technical details

Electrical Configuration

Contact Termination Low voltage	Crimp
R (max)	3.3 mOhm
Insert configuration value	4N.306 - 6 Low Voltage
Insulator	Y: PEEK
Rated current	24 A
Contact retention	65 N
Contact Type	Crimp
Max. Conductor	2.5 mm ² (AWG 12)
Min. Conductor	1.5 mm ² (AWG 16)
Bucket Dia.	2.4 mm (0.094in)
Contact Dia.	2 mm (0.079in)
Number of contacts Low Voltage	6
Wire Size/AWG	16 - 12

Form & Material

Shell style / Model id	EDG - Fixed receptacle with square flange, 4 screw fixing, with long pre-positioning sleeve
Socket / Receptacle	Fixed Panel Front Mounted
Housing material	Stainless steel shell, collet nut and latch sleeve, nickel plated [SAE AMS QQ N 290] brass mid pieces
Locking system	Push-pull
Keying	Push-Pull latch for manipulator. Female contacts
Colour	Grey
Weight	330.11 g

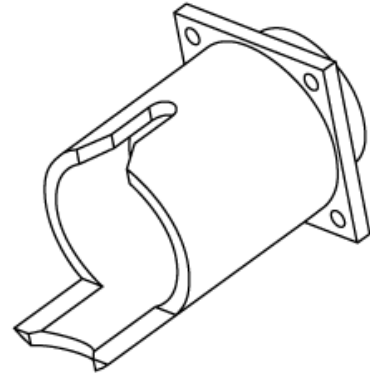
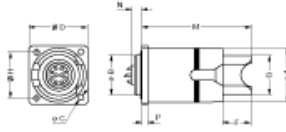
Environment

Technical domain	Energy and Industrial, Specialties and Other
Environmental sealing (IP rating)	IP66

https://www.lemo.com/int_en/solutions/supreme/n-nuclear-stainless-steel/edg-4n-306-tym.html

LEMO products and services are provided "as is". LEMO makes no warranties or representations with regard to LEMO product & services or use of them, express, implied or statutory, including for accuracy, completeness, or security. The user is fully responsible for his products and applications using LEMO components.

Drawings



Dimensions

	A	B	C	D	F	G	H	M	N	P
mm.	40	30	4.2	43	20.0	24	35	74.0	10.7	4
in.	1.57	1.18	0.17	1.69	0.79	0.94	1.38	2.91	0.42	0.16

Recommended By Lemo

Accessories

Replacement contact [EGG.4B.675.ZZM](#)

Tools

Positionner [DCE.91.204.BVCM](#)

Extraction tool [DCC.20.25B.LAG](#)

https://www.lemo.com/int_en/solutions/supreme/n-nuclear-stainless-steel/edg-4n-306-tym.html

LEMO products and services are provided "as is". LEMO makes no warranties or representations with regard to LEMO product & services or use of them, express, implied or statutory, including for accuracy, completeness, or security. The user is fully responsible for his products and applications using LEMO components.

Cables

Cable PartNumber	Material	Colour	Cable image
CMN.06.T18.070PGZE		grey	
CMN.06.T18.070PNZE			
CMN.06.T20.062PGZE		grey	
CMN.06.T20.062PNZE			
CMN.06.T20.062QGZE	TPR (medical)	Grey	
CMN.06.T26.037QGZE	TPR (medical)	Grey	
CMN.06.T28.031PGCE	PVC	GREY	
CMN.06.T28.031PGZE		grey	
CMN.06.T28.031PNCE	PVC	Black	
CMN.06.T28.031PNZE			
CMN.06.T28.042QBCE	TPR (medical)		
CMN.06.T28.044PGZE		grey	
CMN.06.T28.044PNZE			
106220	PVC	Black	
106240	PTFE	White	
12080	PVC	Grey	
160140	PVC	Grey	
160240	PVC	Black	
160260	PVC	Black	
260250	PVC	Grey	
360500	PVC	Grey	
360750	PVC	Grey	
460150	PVC	Grey	
60260	PTFE	White	
6280	PVC	Black	

https://www.lemo.com/int_en/solutions/supreme/n-nuclear-stainless-steel/edg-4n-306-tym.html

LEMO products and services are provided "as is". LEMO makes no warranties or representations with regard to LEMO product & services or use of them, express, implied or statutory, including for accuracy, completeness, or security. The user is fully responsible for his products and applications using LEMO components.